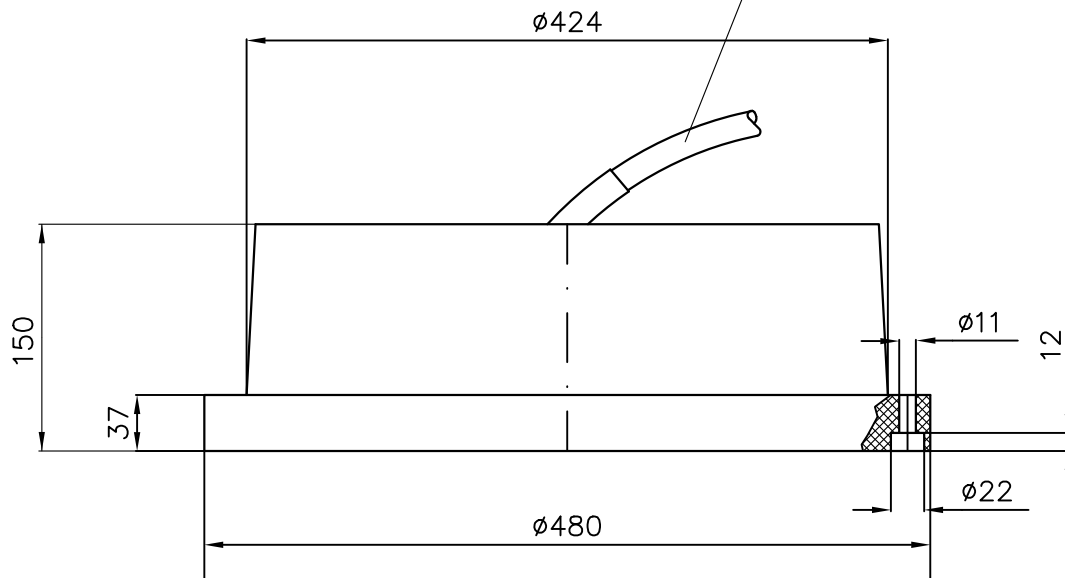
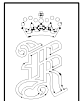
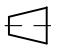



Cable length: 20 metres



			Outline Dimensions Transducer			SCALE 1:5		 Kongsberg Maritime AS Hydroacoustics Division - Horten	
			ES38-B and 38-7-E			KONGSBERG			
C	2009.09.15	BOW	DATE 1988.04.08	DESIGNED TW	CHECKED E.E.	APPROVED H.K.	PROJ. METHODE  	DWG.NO. 830-074647	REV. C
8586	1992.05.05	TW	UNLESS OTHERWISE STATED, TOLERANCES:				SIZE A4	SHEET 1 OF 1	FILE NO: -
ISSUE	DATE	SIGN	DIM.:	THREADS:	SURFACE:				