

# 200 kHz Single-beam transducer



## Introduction

The 200-7C is a composite, single-beam transducer with a large bandwidth. It provides considerable range resolution and allows targets to be detected at a depth of 10 cm below the transducer due to its rapidly decaying transmission pulse.

## Order number

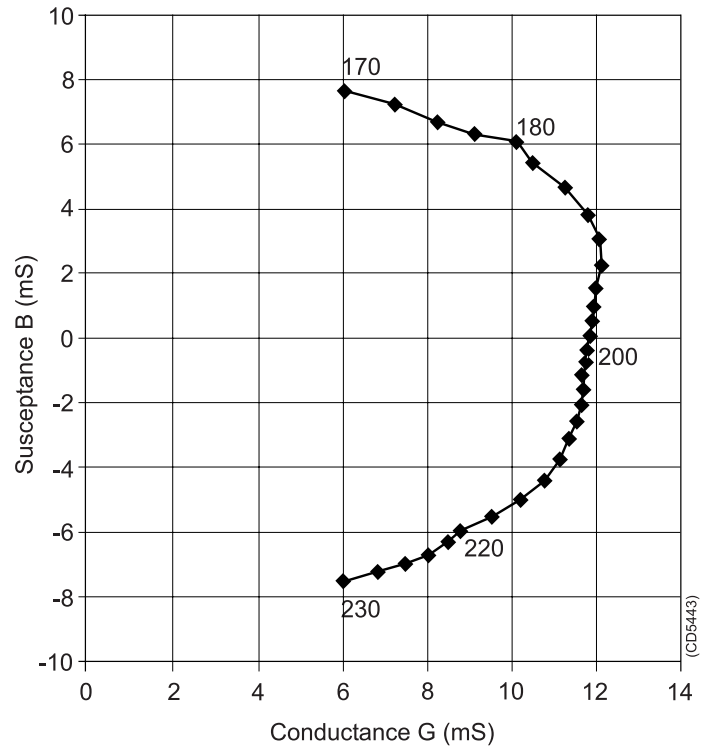
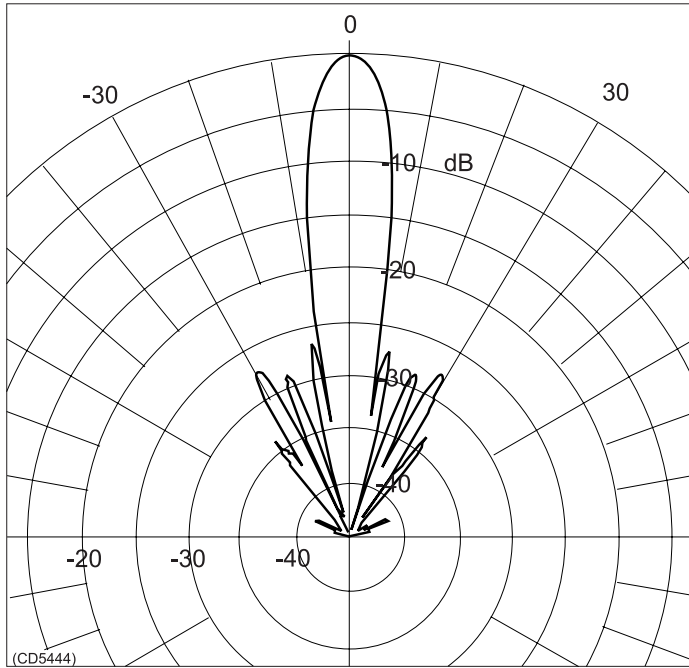
KSV-203378

## Technical specifications

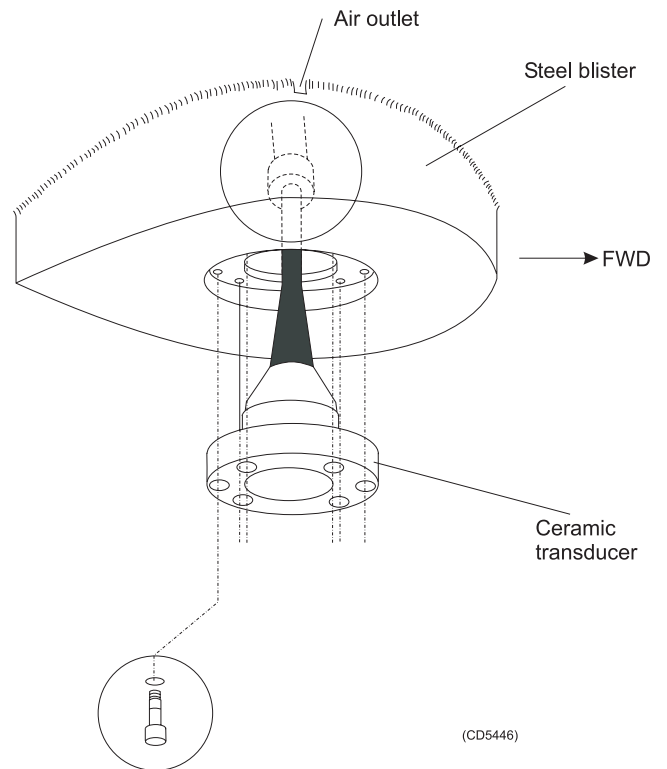
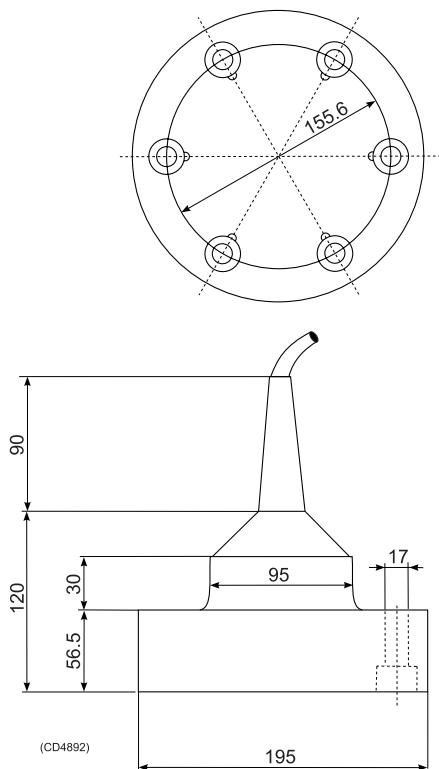
Resonant frequency.....	200 kHz
Circular beamwidth.....	7 deg ±1
Directivity .....	650 ±20%
Directivity index .....	28 dB
Equivalent two-way beam angle ( $\Psi$ ).....	0.009 ± 20%
10 log $\Psi$ .....	-21
Side lobes.....	less than -21
Back radiation .....	less than -40
Impedance:	
Nominal.....	75 ohms
Max. variation in  Z  .....	60 - 95 ohms
Max variation in phase angle .....	±30 deg
Transmitting response .....	178 dB ±2
	re 1 $\mu$ Pa per V
Receiving sensitivity, open circuit .....	-184 dB ±2
	re 1 V per $\mu$ Pa
Electroacoustic efficiency .....	60 ±20%

Maximum pulse power input .....	1500 W
Maximum continuous power input .....	10 W
Maximum installation depth .....	20 m
Cable length .....	20 m
Cable diameter .....	10.9 ±0.4 mm
Weight without cable .....	3 kg
Storage temperature .....	-20 to 70 °C

## Data



## Installation



### Manufacturer:

Simrad AS

Strandpromenaden 50

P.O.Box 111

N-3191 Horten

Telephone: +47 33 03 40 00