

SIDESCAN 500 KHZ



KONGSBERG



SIDESCAN TRANSDUCER - 500 KHZ - 0.35X60

500 kHz side looking transducer for shallow water surveying and high resolution.

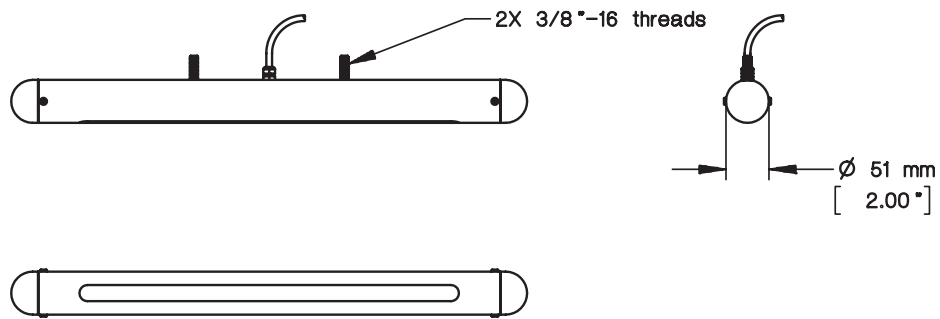
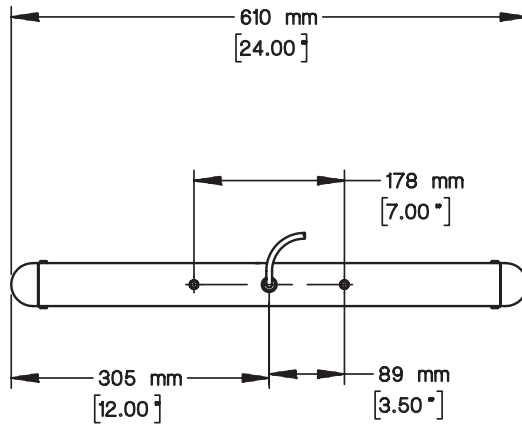
TECHNICAL SPECIFICATIONS

The 500 kHz side looking transducer has a beam with of 0.35° longitudinal and 60° transversal. The side looking transducer is perfect for shallow water surveying to perform high resolution side looking image. The transducer is designed for easy portable mounting by using a bracket and its robust housing.

KM order number: 368281
KM mounting bracket order number: 599-218502

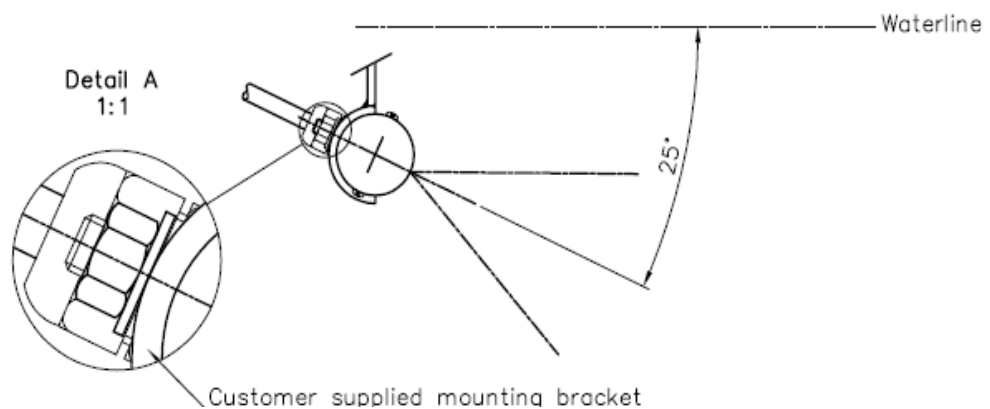
Resonant frequency.....	500 kHz
Circular beam width:	
• Longitudinal.....	0.35 degrees
• Transversal.....	60 degrees
Impedance nominal value.....	60 ohm
Transmitting Voltage Response.....	179 ±2 dB (re 1 µPa per 1 V)
Receiving Voltage Response.....	-196 ±2 dB (re 1 V per µPa)
Maximum pulse power input.....	800 W @ 2% duty
Maximum transducer depth.....	10 m
Cable length.....	15 m
Cable diameter.....	7.0 mm
Weight with cable.....	3.4 kg
Storage temperature.....	-6 to +48°C

DIMENSIONS



INSTALLATION

Typical mounting example.



Specifications subject to change without any further notice.