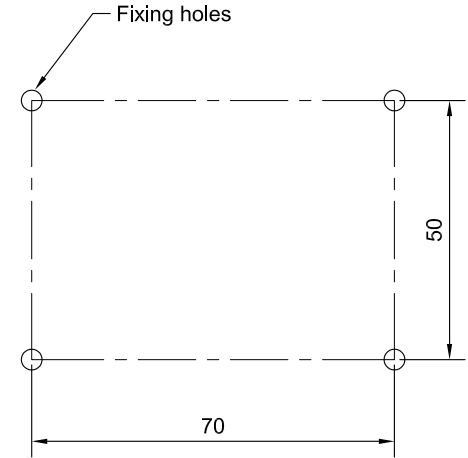
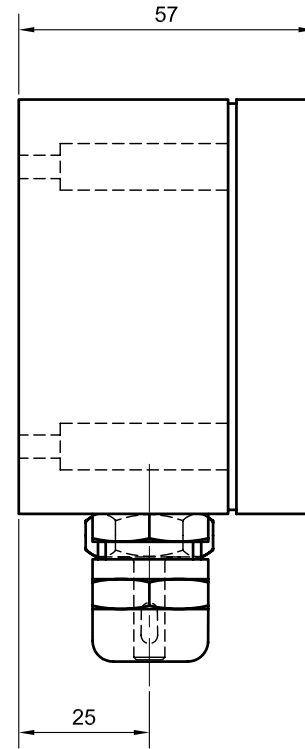
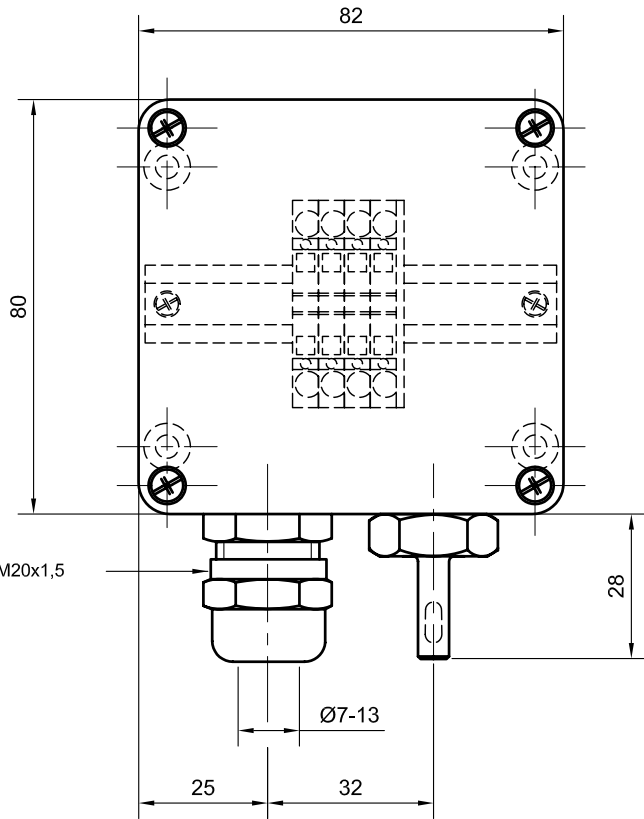
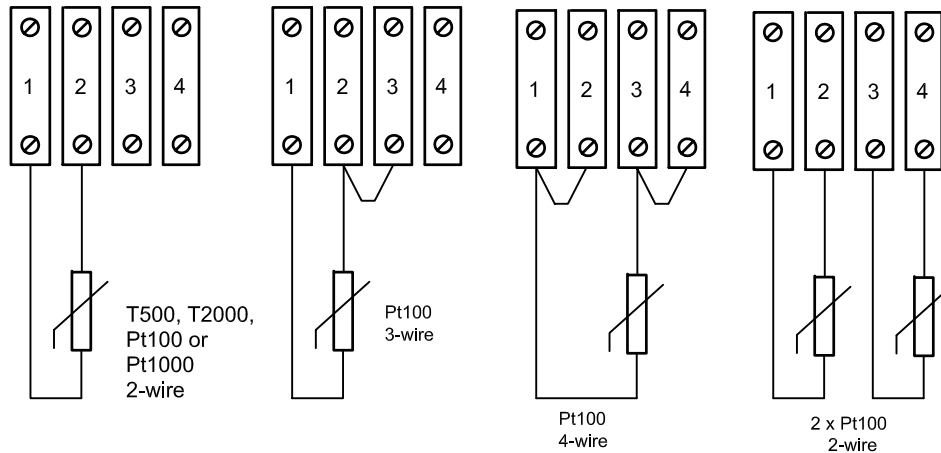


All rights reserved. Specifications subject to change without notice.



- REMARKS
1. Material, box: ABS
 2. Protection grade: IP56.
 3. Color: Gray

F	MN3676DU in. 020917, VRa/AJS	SD in. 031105, MaV/AJK
E	New design. 020131, MaV/JW	Com.dia for 4-wire. 020925, MaV/
Rev.	Description Date/Sign.	Description Date/Sign.



ARTICLE NO.	QTY. OF WIRES	ELEMENT TYPE	RANGE
MN3670SU	2	Pt100	-50-100°C
MN3670TU	3	Pt100	-50-100°C
MN3670FU	4	Pt100	-50-100°C
MN3670NU	4	Pt100 1/3 DIN	-50-100°C
MN3670SM	2	Pt1000	-50-100°C
MN3670DU	2	Pt100	-50-100°C
MN3670SD	2	T500	-50-100°C

Date 1995-02-06	Dsgn/Dwn AJK	Trac	Scale/Format 1:1 [A3]
Checked BSw	Spec Ctrt.	Approved AJK	

Kongsberg Maritime AS
Automation
Trondheim

Temperature sensor type MN3670-
with connection diagram

Repl. for Repl. by Next sheet

Dwg no. Sh.no. Rev. Lang.

DIMENSIONAL SKETCH

MN-3670 | **H**