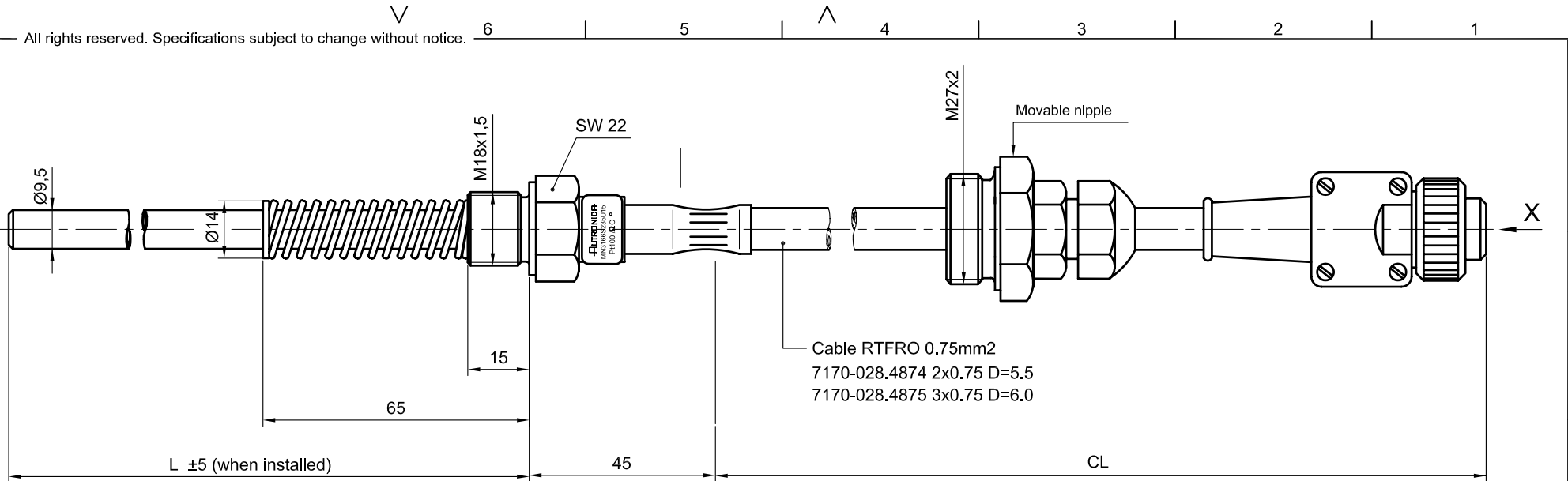


All rights reserved. Specifications subject to change without notice.



Cable RTFRO 0.75mm²
 7170-028.4874 2x0.75 D=5.5
 7170-028.4875 3x0.75 D=6.0

L ±5 (when installed)

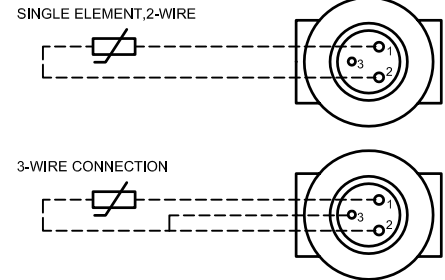
45

CL

ORDERING EXAMPLE : MN3166 S 235 U15
 Mechanical design
 Single element(Letter no.1)
 Length of temp.sensor (L),in mm
 Element type Pt100(Letter no.2)
 Cable length (CL) in dm

LETTER NO.1	EXPLANATION
S	Single element, 2-wire
T	3-wire connection

LETTER NO.2	ELEMENT TYPE	RANGE
M	Pt100ohm/0 °C	-50 to 200 °C
U	Pt100 ohm/0 °C	-50 to 200 °C



SEEN FROM " X "

ENGINE	L	CL	SENSOR
SULZER ZAL 40/48	235		MN3166S235U-
SULZER ZAL 40 S	235		MN3166S235U-
SULZER ZAV 40/48	265		MN3166S265U-
SULZER ZAV 40 S	265		MN3166S265U-
SULZER ZV 40/48	270		MN3166S270U-

Date 1989-10-06	Dsgn/Dwn AK/OL	Trac	Scale/Format M 1:1
Checked OL	Spec Ctrf. AK	Approved	

Temperature sensor type MN3166---

DIMENSIONAL SKETCH



Kongsberg Maritime AS
 Automation
 Trondheim

Repl. for Repl. by Next sheet

Dwg no. Sh.no. Rev. Lang.

MN-3166 | | C |