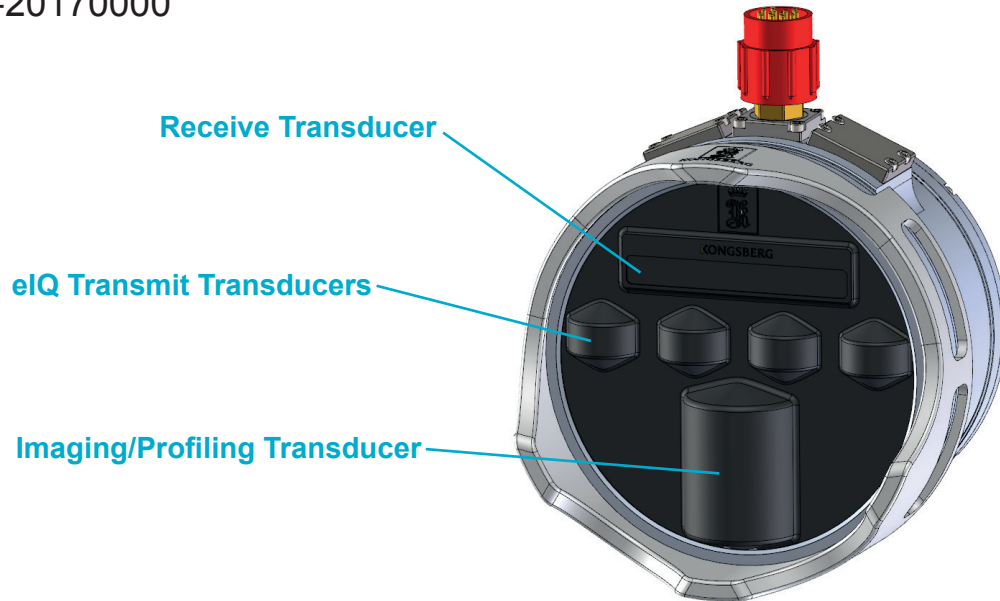


# M3 SONAR® - 500M SUBCONN CONNECTOR



KONGSBERG

P/N 922-20170000



## THE MULTIMODE MULTIBEAM FOR MULTIPLE APPLICATIONS

- Imaging and profiling capabilities
- GeoTIFF output for image mosaics
- Multiple true-zoom windows
- CHIRP and Doppler modes of operations
- User-friendly interface
- Significant time savings
- Integrated tilt and pan/tilt control

The Kongsberg Mesotech M3 Sonar® is a multibeam system with both imaging and profiling capabilities. The M3 Sonar® provides high-resolution and easy to interpret images by combining the rapid refresh rate of a conventional multibeam sonar with image quality comparable to a single-beam sonar.

Detection of small objects out to 150 meters combined with a 120° to 140° field of view allows the operator to see the complete underwater picture in real-time.

## APPLICATIONS

- Marine Engineering
- Shallow Water Bathymetric Surveying
- Site Inspection
- Environmental Monitoring
- Site Clearance
- Defense and Security

## INSTALLATION OPTIONS

- Pole mount on a surface vessel
- Suitable for a wide range of vehicles from large work-class ROVs to small observation class ROVs
- Tripod mounted

## M3 SOFTWARE

The M3 Software was developed specifically for the M3 Sonar® to manage communications with the head and operate all beam-forming and imaging processing.

### Four Pre-Defined Operating Modes:

1. **Imaging:** long range navigation with high speed update rate
2. **Enhanced Image Quality (eIQ):** greatest image quality (0.95° angular resolution) from a short range with a slower update
3. **ROV Navigation:** selects eIQ or imaging based on range
4. **Profiling:** narrow 3° beam used to generate a 3D point cloud

# TECHNICAL SPECIFICATION

## Sonar Specifications

Range: 0.2m to 150m  
 Range Resolution: 1cm  
 Frequency: 500 kHz  
 Pulse Types: CW, CHIRP  
 Modes: Variable Vertical Beamwidth, eIQ

## Imaging Mode

Horizontal Field of View: 120°  
 Vertical Beamwidth: 3°, 7°, 15°, 30°  
 Angular Resolution: 1.6°  
 Update Rate: up to 40 Hz

## eIQ Imaging Mode

Horizontal Field of View: 140°  
 Vertical Beamwidth: 30°  
 Angular Resolution: 0.95°  
 Update Rate: up to 10 Hz

## Profiling Mode

Horizontal Field of View: 120°  
 Vertical Beamwidth: 3°  
 Number of Beams: 256  
 Update Rate: up to 40 Hz

## Interface Specifications

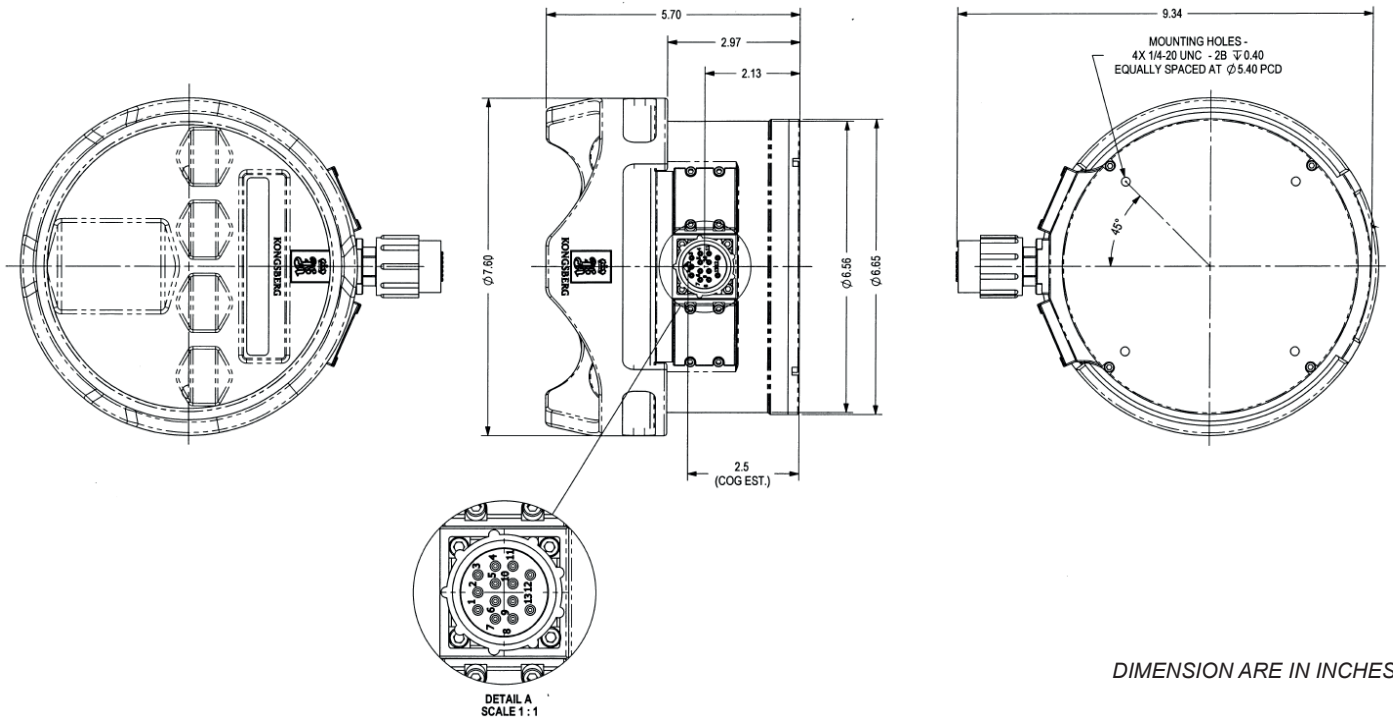
Communication: Ethernet  
 Data Rates: 10/100 /1000 Mbps  
 Input Voltage: 12 to 36 VDC  
 Input Power: 22W (avg.), peak power < 60W, mode dependant  
 Operating System: Windows 10 Professional;  
 Windows 7 Professional

## Environmental Specifications

**Temperature**  
 Operation: -2°C to +38°C  
 Storage: -40°C to +55°C  
**Shock and Vibration**  
 Shock Qualified: +/-50gs, 3 Axes, 6 shocks per axis  
 Vibration Qualified: 4g, 30Hz 3 Axes, 2 hours per axis.  
 No resonance below 800Hz

## Mechanical Specifications

Dimensions: (see diagram below)  
 Weight in Air: 4.6kg  
 Weight in Water: 1.7kg  
 Depth Rating: 500m  
 Connector Type: Subconn  
 Connector Model: DBH13MSS  
 Materials: Hard Anodized Aluminum, Stainless Steel 316, Elastomeric Polyurethane

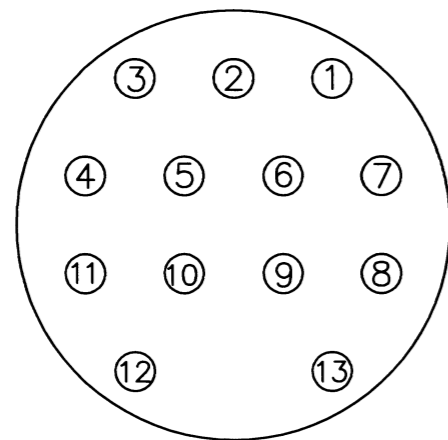


DIMENSION ARE IN INCHES

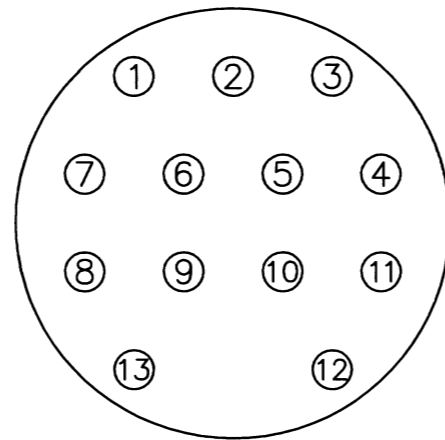
Specifications subject to change without any further notice.

922-20177901-1.0

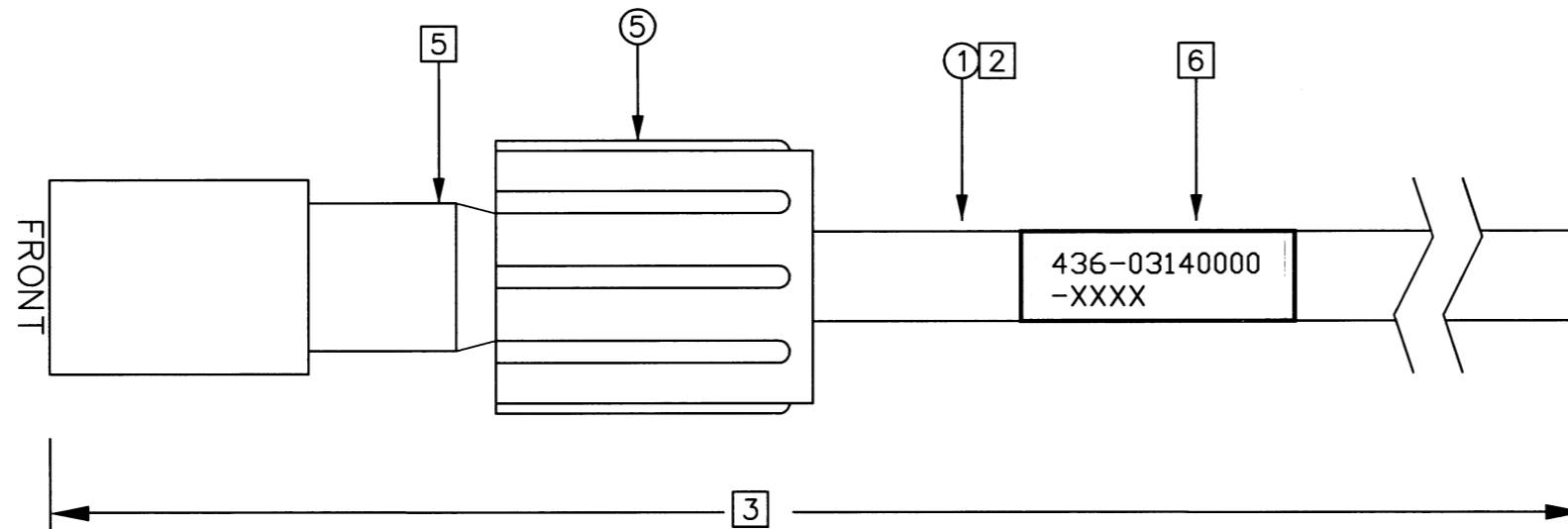




PIN VIEW/  
FACE VIEW



SOLDER LUG/  
REAR VIEW



PART # = 436-03140000-XXXX  
XXXX = LENGTH IN FEET

SUBCONN DIL13F WHIP		
DIL13F	CABLE	
PIN NUMBER	COLOR	DESC
1	BLK	18AWG
2	ORG	SHIELD
3	WHT	18AWG
4	BRN	TWISTED PAIR
5	BRN/WHT	
6	BLU	TWISTED PAIR
7	BLU/WHT	
8	ORG	TWISTED PAIR
9	ORG/WHT	
10	GRN	TWISTED PAIR
11	GRN/WHT	
12	RED	18AWG
13	GRN	18AWG

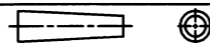
NOTES:

- 1 ALL PARTS AND PROCESSES USED IN THIS ASSEMBLY MUST COMPLY WITH THE RoHS DIRECTIVE.
- 2 CABLE MINIMUM BEND RADIUS = 5".
- 3 THE LAST 4 DIGITS OF THE PART NUMBER STATES THE LENGTH OF THE CABLE IN FEET.
- 4 REFER TO THE TABLE FOR TOLERANCES
- 5 MAXIMUM 1/2" UNTWISTED FOR ALL TP.
- 6 PRINT PART NUMBER USING 1/8" BLACK TEXT ON WHITE, THEN INSTALL CLEAR HEATSHRINK OVER.

CABLE AND WIRE LENGTH TOLERANCE	
≤1 FT	+1 IN -0 IN
>1 FT-5 FT	+2 IN -0 IN
>5 FT-10 FT	+4 IN -0 IN
>10 FT- 25 FT	+6 IN -0 IN
>25 FT	+5% -0%

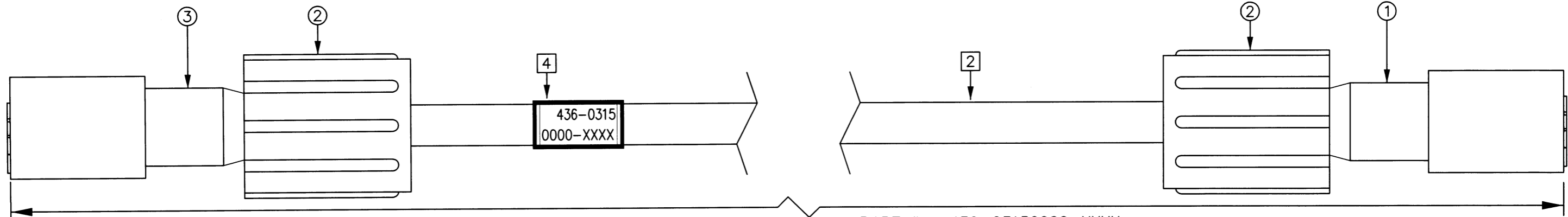
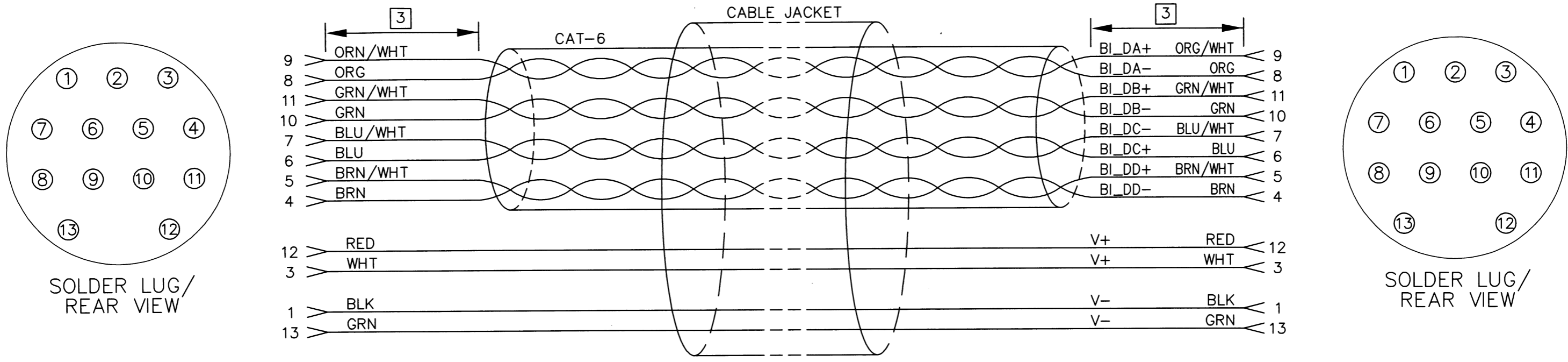
PROPRIETARY NOTICE - THIS DOCUMENT CONTAINS INFORMATION WHICH IS SOLE PROPERTY OF KONGSBERG MESOTECH LTD AND IS RECEIVED IN CONFIDENCE. ITS CONTENTS MAY NOT BE DISCLOSED OR REPRODUCED IN ANY WAY WITHOUT WRITTEN CONSENT OF KONGSBERG MESOTECH LTD.

DO NOT SCALE DRAWING



APPROVALS	DATE
DRAWN DM	2017-JAN-10
REVISD	
ENGR <i>DM</i>	Jan 18/2017
CHECKED <i>J.H.</i>	Jan 18/2017
PROD <i>GC</i>	Jan 19/2017
QA <i>KA</i>	18-JAN-17
ISSUED <i>R.H.</i>	18 JAN 17

ISS	DESCRIPTION	DATE
	REVISIONS	
	Kongsberg Mesotech Ltd.	
	M3 SONAR CABLE PWR/TEL WHIP SUBCONN DIL13F MOLDED	
SIZE	NSCM NO	TYPE
B	1C965	MD
DWG NO.	436-03141000	
ISS	1.1	
SCALE: NTS	W.O. NO.	SHEET 1 OF 1



PART # = 436-03150000-XXXX  
 XXXX = LENGTH IN FEET (± 1/4')

- NOTES:
- 1 ALL PARTS AND PROCESSES USED IN THIS ASSEMBLY MUST COMPLY WITH THE RoHS DIRECTIVE.
  - 2 CABLE MINIMUM BEND RADIUS = 5".
  - 3 MAXIMUM 1/2" UNTWISTED.
  - 4 PRINT PART NUMBER USING 1/8" BLACK TEXT ON WHITE, THEN INSTALL CLEAR HEATSHRINK OVER.

PROPRIETARY NOTICE - THIS DOCUMENT CONTAINS INFORMATION WHICH IS SOLE PROPERTY OF KONGSBERG MESOTECH LTD AND IS RECEIVED IN CONFIDENCE. ITS CONTENTS MAY NOT BE DISCLOSED OR REPRODUCED IN ANY WAY WITHOUT WRITTEN CONSENT OF KONGSBERG MESOTECH LTD.

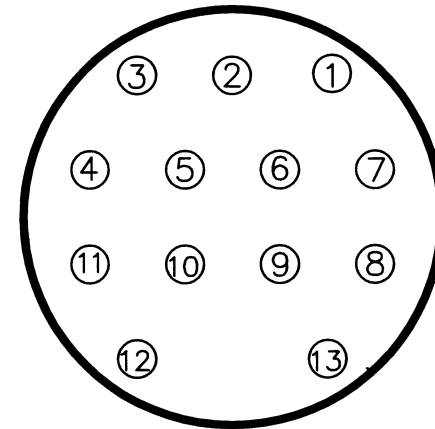
APPROVALS	DATE
DRAWN BD	2015 APR 28
REVISED	
CHECKED I.B. 7/2/15	
ENGR BM July 2015	
ISSUED R.C.H. 2015 JUL 2	
CONFIDENTIAL DO NOT COPY	

ISS	DESCRIPTION	DATE
REVISIONS		
Kongsberg Mesotech Ltd.		
M3 SONAR CABLE POWER/TELEMETRY WHIP		
SIZE B	NSCM NO 1C965	TYPE MD
DWG NO. 436-03151000	ISS 1.0	
SCALE: NTS	W.O. NO.	SHEET 1 OF 1

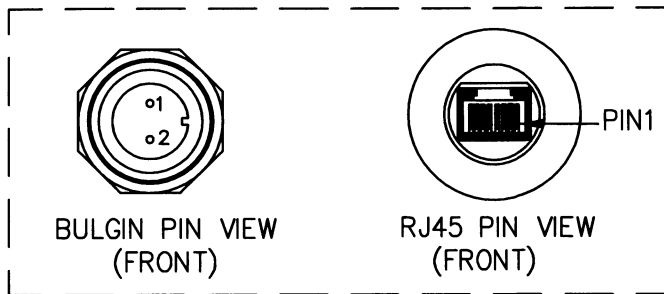
DO NOT SCALE DRAWING



SUBCONN DIL13F TO M3 BOX CONNECTION			
DIL13F		BULGIN	RJ45(T568B)
PIN NUMBER	SIGNAL	PIN NUMBER	PIN NUMBER
1	V-	2	N/C
2	BI_DA+	N/C	N/C
3	V+	1	N/C
4	BI_DD-	N/C	8
5	BI_DD+	N/C	7
6	BI_DC+	N/C	4
7	BI_DC-	N/C	5
8	BI_DA-	N/C	2
9	BI_DA+	N/C	1
10	BI_DB-	N/C	6
11	BI_DB+	N/C	3
12	V+	1	N/C
13	V-	2	N/C



FRONT VIEW

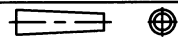


**NOTES:**

ALL PARTS AND PROCESSES USED ON THIS ASSEMBLY MUST COMPLY WITH THE RoHS DIRECTIVE

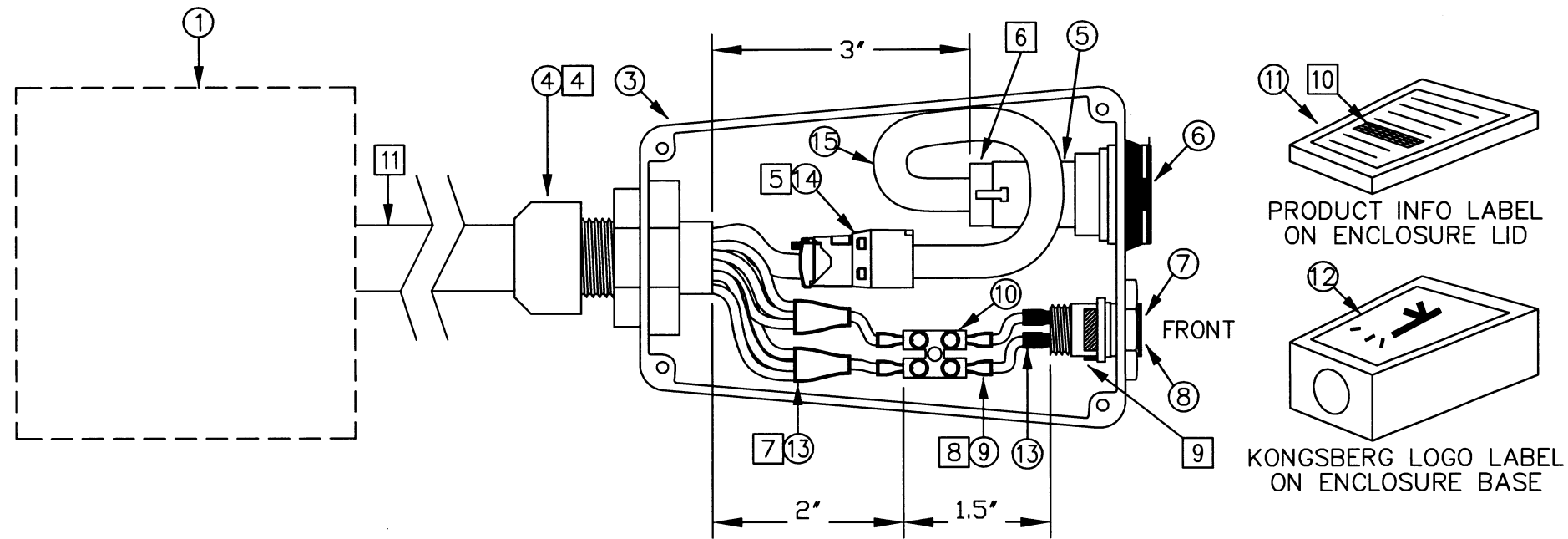
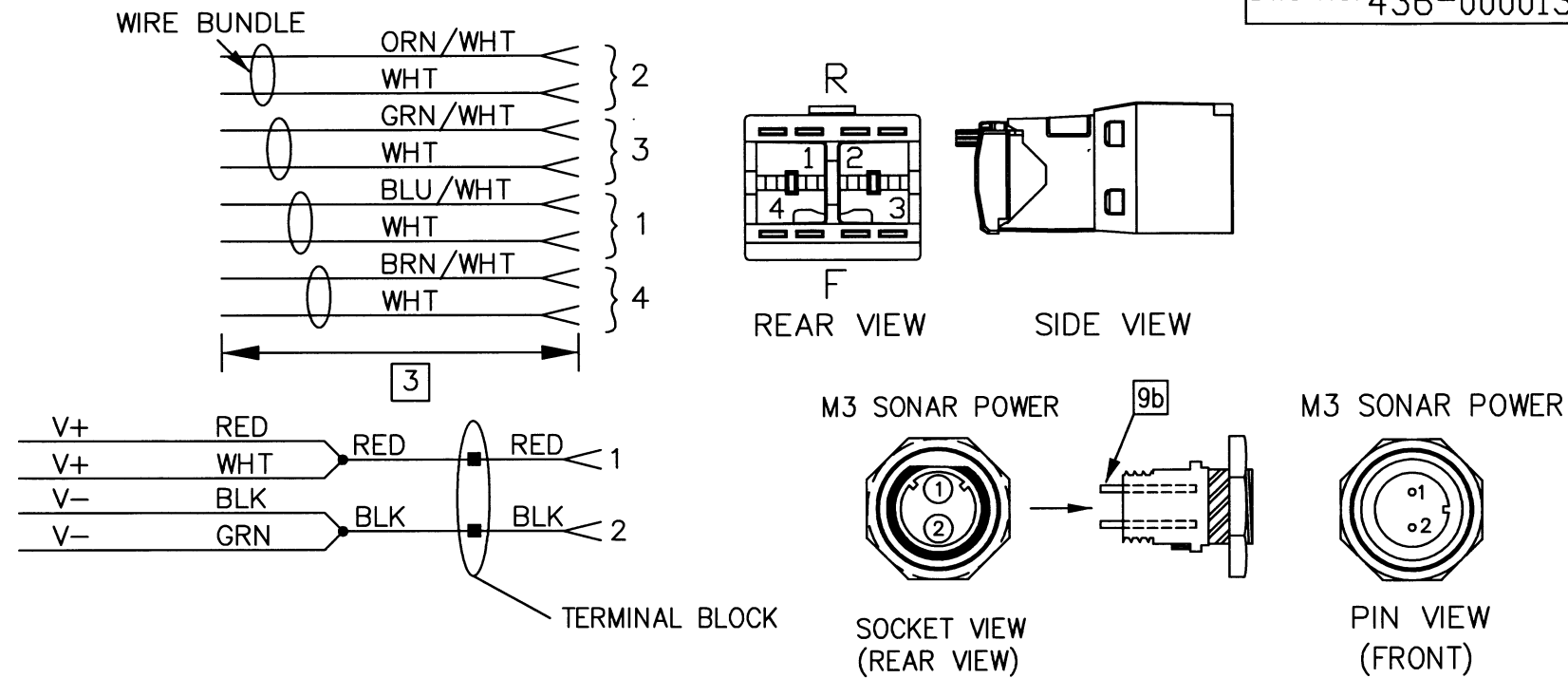
**PROPRIETARY NOTICE - THIS DOCUMENT CONTAINS INFORMATION WHICH IS SOLE PROPERTY OF KONGSBERG MESOTECH LTD AND IS RECEIVED IN CONFIDENCE. ITS CONTENTS MAY NOT BE DISCLOSED OR REPRODUCED IN ANY WAY WITHOUT WRITTEN CONSENT OF KONGSBERG MESOTECH LTD.**

DO NOT SCALE DRAWING



APPROVALS		DATE
DRAWN	DM	2017-JAN-10
REVISED		
ENGR	DM	Jan 18/2017
CHECKED	J.H.	Jan 18/2017
PROD	Ac	Jan 19/2017
QA	V/A	18-JAN-17
ISSUED	R.T.H.	18 JAN 17

ISS	DESCRIPTION	DATE
REVISIONS		
	Kongsberg Mesotech Ltd.	
	ASSEMBLY PINOUT DIL13F TO POWER/ETHERNET BREAKOUT BOX	
SIZE	NSCM NO	TYPE
A	1C965	MD
DWG NO. 436-00001211		ISS 1.0
SCALE: NTS	W.O. NO.	SHEET 1 OF 1



- NOTES:**
- ALL PARTS AND PROCESSES USED IN THIS ASSEMBLY MUST COMPLY WITH THE RoHS DIRECTIVE.
  - REFER TO THE TABLE FOR TOLERANCES
  - STRIP CABLE BY 3.5" (+1" -0"). MAXIMUM 0.5" UNTWISTED.
  - INSTALL CABLE GLAND.
  - INSTALL RJ45 JACK
  - INSTALL RJ45 COUPLER
    - a- REMOVE JACK PLUG FROM RJ45 COUPLER ⑤, THEN INSTALL OUTER PIECE AND HAND-TIGHTEN WITH 24MM SOCKET (COVER BEND ON TOP).
    - b- TEST WITH ETHERNET TESTER (FLUKE CABLE IQ TESTER OR EQUIVALENT).
  - SPLICE CABLE BY 3.5" (+1" -0"). HEATSHRINK OVERLAPS THE WIRE INSULATION ON BOTH ENDS OF THE SPLICED AREA BY A MINIMUM OF 1 WIRE GROUP (LARGEST GROUP) DIAMETER.
  - CRIMP FERRULES.
  - INSTALL POWER JACK CONNECTOR:
    - a- INSTALL CONNECTOR, WASHER, THEN THE NUT.
    - b- INSTALL PINS WITH SOLDERED WIRES TO THE CONNECTOR.
    - c- INSTALL CAP (SUPPLIED WITH CONNECTOR).
  - INSTALL A STICKER WITH CABLE P/N ON ENCLOSURE LID. LABEL SIZE 45mm x 10MM, BROTHER LABEL MAKER SETTINGS; FONT: HEL, WIDTH x1, SIZE: 12PT, STYLE: BOLD
  - REMOVE LABEL THAT IS ON THE CABLE WHIP.

2

≤1 FT	+1 IN -0 IN
>1 FT-5 FT	+2 IN -0 IN
>5 FT-10 FT	+4 IN -0 IN
>10 FT- 25 FT	+6 IN -0 IN
>25 FT	+5% -0%

**PROPRIETARY NOTICE - THIS DOCUMENT CONTAINS INFORMATION WHICH IS SOLE PROPERTY OF KONGSBERG MESOTECH LTD AND IS RECEIVED IN CONFIDENCE. ITS CONTENTS MAY NOT BE DISCLOSED OR REPRODUCED IN ANY WAY WITHOUT WRITTEN CONSENT OF KONGSBERG MESOTECH LTD.**

APPROVALS	DATE
DRAWN DM	2016-DEC-08
REVISED	
ENGR <i>DM</i>	Jan 18/2017
CHECKED <i>JH</i>	Jan 18/2017
PROD <i>HC</i>	Jan 18/2017
QA <i>KA</i>	18-JAN-17
ISSUED <i>RCH</i>	14 JAN 17

ISS	DESCRIPTION	DATE
REVISIONS		
	Kongsberg Mesotech Ltd.	
	ASSY DWG M3 POWER/ETHERNET BREAKOUT BOX	
SIZE	NSCM NO	TYPE
B	1C965	MD
DWG NO.	436-00001302	
ISS	1.0	
SCALE: NTS	W.O. NO.	SHEET 1 OF 1

DO NOT SCALE DRAWING

