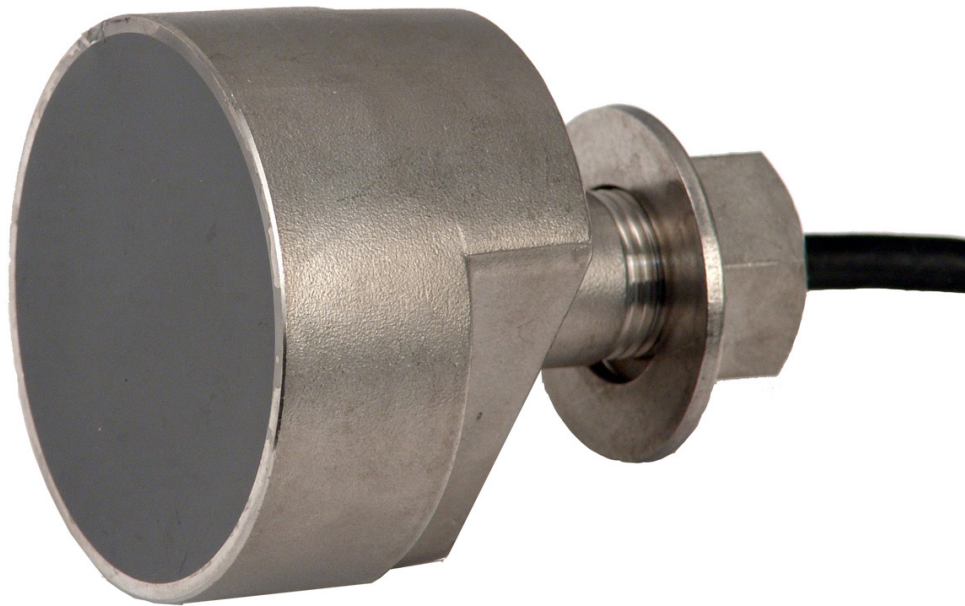


# 500 KHZ TRANSDUCER



KONSGBERG



## 500 KHZ TRANSDUCER

---

500 kHz transducer for shallow water surveying. The transducer has a narrow 3° beam width and high depth resolution.

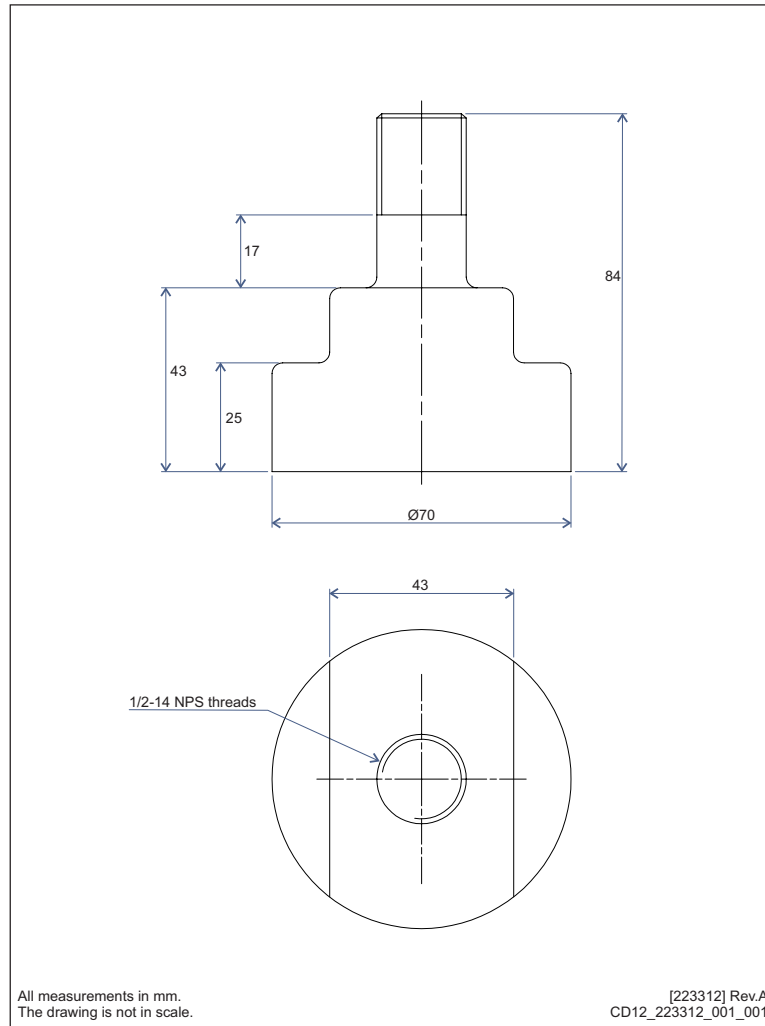
## TECHNICAL SPECIFICATIONS

The 500 kHz transducer is designed for shallow water surveying. It provides a small beam width, high resolution and a high bandwidth with a Q value of 2.3. The design is robust and rugged, and the transducer is recommended for portable applications.

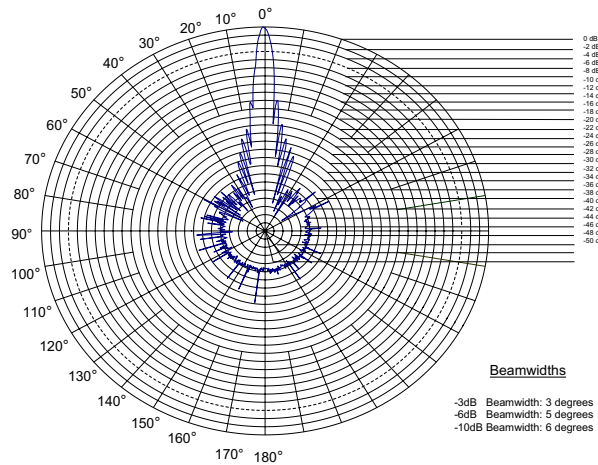
KM order number: 422244

• Resonant frequency	500 kHz
• Circular beam width	3 °
• Impedance nominal value	60 Ω
• Transmitting Voltage Response	186 ±2 dB (re 1 μPa per 1 V)
• Receiving Voltage Response	-189 ±2 dB (re 1 V per μPa)
• Maximum pulse power input	500 W @ 2% duty cycle
• Maximum transducer depth	10 m
• Cable length	10 m
• Cable diameter	7.0 mm
• Weight with cable	3.4 kg
• Operational temperature	-6 to +48 °C
• Storage temperature	-20 to +70 °C

# DIMENSIONS



# BEAM PATTERN



Specifications subject to change without any further notice.

422109/A January 2017

