

50 kHz Single-beam transducer



Introduction

The 50-18 is a small, single-beam transducer incorporating seven Tonpilz elements in a polyurethane housing. Its compact design requires little space and it is employed extensively with navigational echo sounders. A compatible steel tank and mounting ring are also available.

Order number

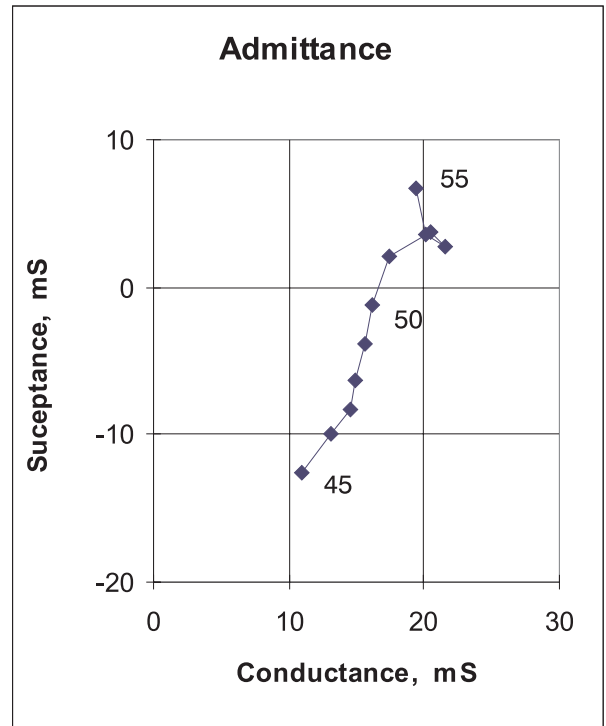
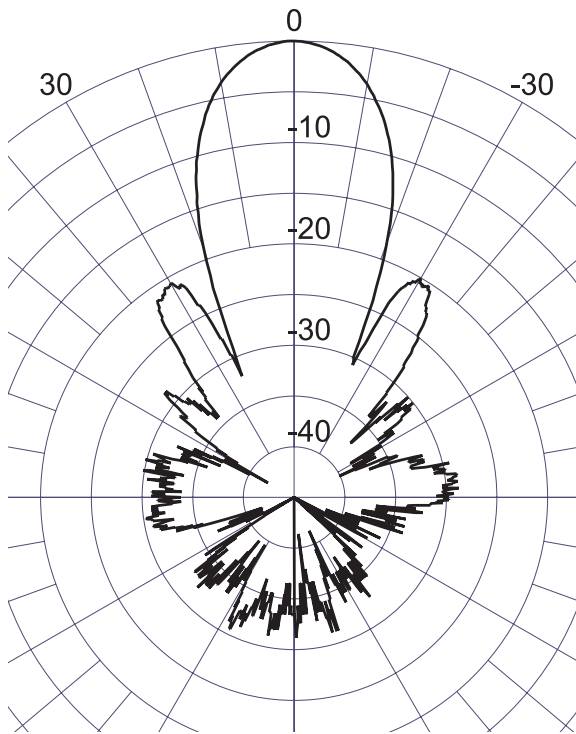
KSV-082606

Technical specifications

Resonant frequency 50 kHz
Beamwidth, circular 18 deg ±3
Directivity:	
D 100 ±20%
DI=10logD 20 ±1 dB
Side lobes less than -15 dB
Back radiation less than -25 dB
Impedance:	
Nominal 60 ohms
Max. variation in Z 45 - 80 ohms
Max variation in phase angle ±30 deg
Transmitting response 207 dB ±2
	re 1 μPa per A
Receiving sensitivity, open circuit -181 dB ±2
	re 1 V per μPa
Electroacoustic efficiency 0.70 ±0.20
Maximum pulse power input 500 W

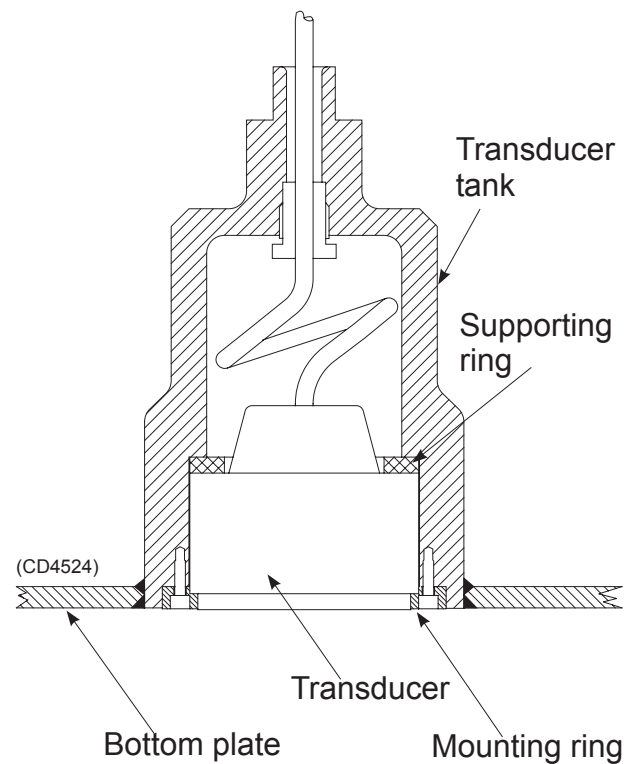
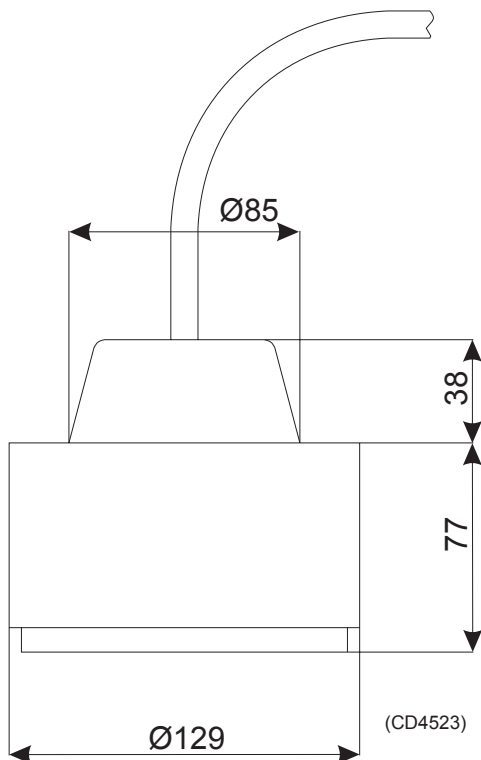
Maximum continuous power input 10 W
Maximum transducer depth 10 m
Cable length 20 m
Cable diameter 10.9 ±0.4 mm
Weight without cable 2 kg
Weight with cable 5.5 kg
Storage temperature -20 to 70 °C

Data



(CD4496)

Installation



Manufacturer:

Simrad AS

Strandpromenaden 50

P.O.Box 111

N-3191 Horten

Telephone: +47 33 03 40 00