

## 120 kHz single-beam transducer



### Introduction

The 120-25 is a single-beam transducer protected by a robust housing. The solid interior enables it to withstand the pressure at a depth of 1000 m.

### Order number

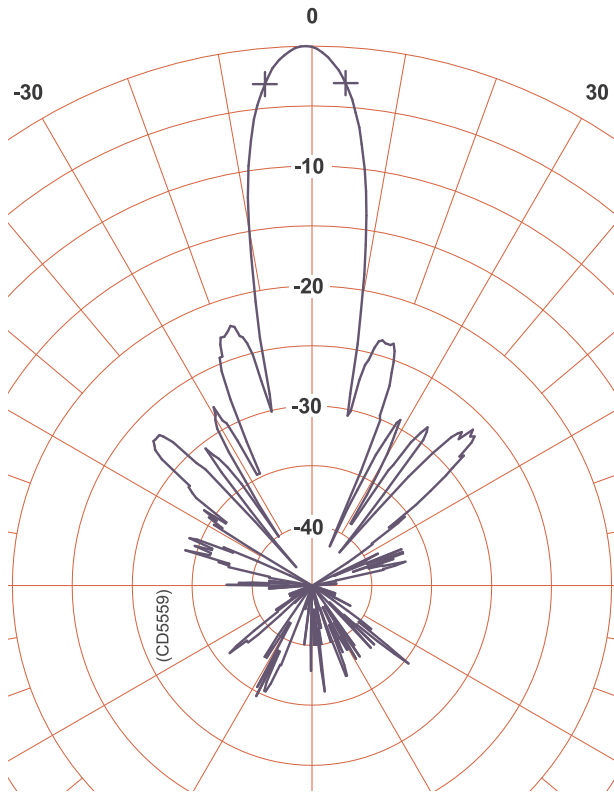
KSV-062615

### Technical specification

Resonant frequency..... 120 kHz  
Beamwidth, circular..... 10 deg.  $\pm 2$  deg.  
Directivity index ..... 25 dB  
Equivalent two-way beam angle ( $\psi$ ) ..... -17.5 dB  
re 1 steradian  
Nominal impedance ..... 60 ohm  
Maximum variation in  $|Z|$  ..... 45 to 80 ohm  
Maximum variation in phase .....  $\pm 30$  deg  
Transmitting response .....  $176.5 \pm 2$  dB  
re  $1 \mu\text{Pa}$  per V  
Receiving sensitivity (open circuit) ..... -183.0  
 $\pm 2$  dB re 1V per  $\mu\text{Pa}$   
Electroacoustic efficiency .....  $70 \pm 20$  %

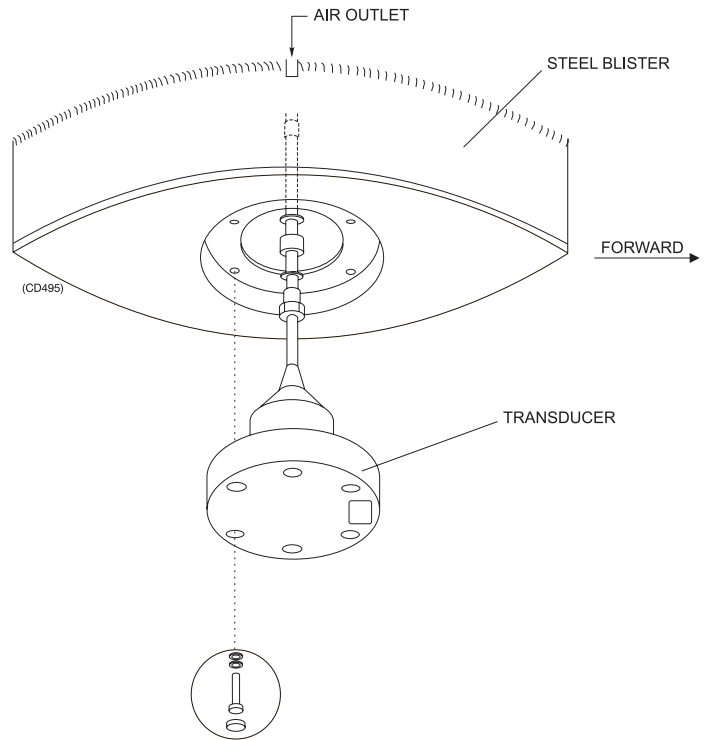
Maximum input power..... 1000 W  
Maximum duty cycle (at maximum power) ..... 5%  
Maximum installation depth ..... 1000 m  
Maximum storage temperature ..... -20 to 70° C  
Cable length ..... 25 m  
Cable diameter ..... 10.9 mm  
Weight without cable ..... 4 kg

## Data



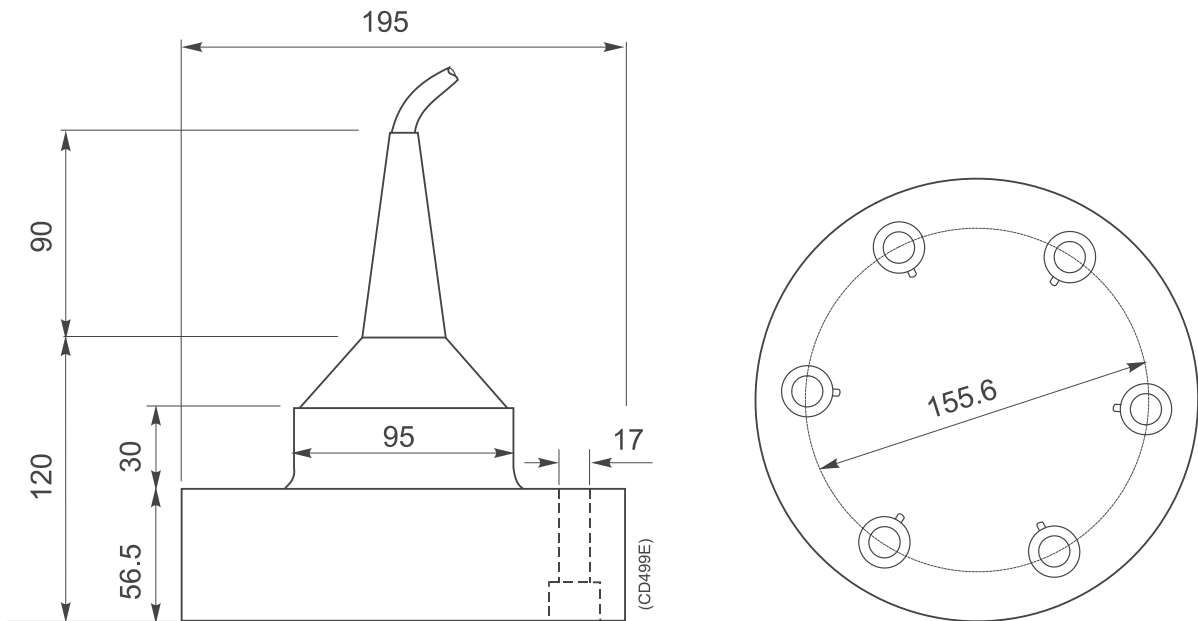
*Beam pattern*

## Installation



*Installation example*

## Installation



*Outline dimensions*

### **Manufacturer:**

Simrad AS  
Strandpromenaden 50  
P.O.Box 111  
N-3191 Horten  
Telephone: +47 33 03 40 00  
Telefax: +47 33 04 29 87  
Internet: [www.simrad.com](http://www.simrad.com)