

Note: Length X specified in order.

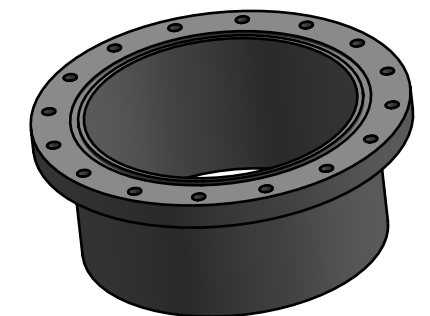
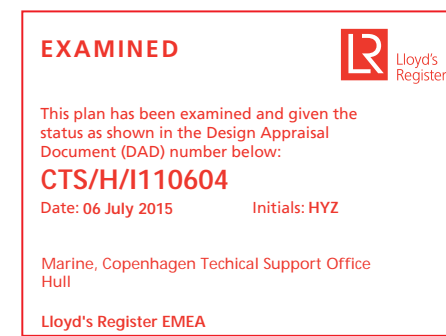
Tube  $\varnothing 406.4 \times 20$  DIN 17121. Material: S355J2H (St52-3N) EN 10025.  
Flange: Plate. Material S355J2+N (St52-3N) EN 10025.

All welds to be performed by certified welder, and according to DNV "Rules for Classification" Pt.3 Ch.1 Sec.12.



Surface treatment:  
Blast cleaning to Sa2.5 ISO 8501-1, excluding o-ring groove.  
Shop priming 1 x 20-30  $\mu\text{m}$  (Jotun Mukil Z).

To be stamped with:  
Charge no.  
DNV approval.  
Other class approval.

Attachments:  
Material certificate 3.1 EN 10204.  
Welders approval certificate NS-EN ISO 17732.  
WPS (Welding Procedure Specification) DNV Certificate.  
NDT: 20% MT (Magnetic Particle Examination)  
DNV Product Certificate.  
Other Class Product Survey, if specified in order.



ISO 1:10

D	2014.11.03	C011611/A	HAA	BU/MT	JEF
A	1977.05.25	First Issue	BSm	BØJ	BSm
REV.	DATE	DESCRIPTION	Designed by	Checked by	Approved by
Material: -		Unless Otherwise Stated, Tolerances:			Class. Code
Surface Treatment: -		DIM.: ISO 2768-mK Threads: 6g/6H Surface: Ra 12.5			599
 <b>Kongsberg Maritime AS</b> Subsea Division Horten - Norway		<b>Mounting Flange</b> DN350			Sheet 1/1 Size A3 Scale 1:5
Project / Product name HiPAP		Project number	Drawing type Production		
The reproduction, distribution and utilization of this document as well as the communication of its contents to others without express authorization is prohibited. Offenders will be held liable for the payment of damages. All rights reserved in the event of grant of a patent, utility model or design. Kongsberg Maritime				Document ID <b>599-044140</b>	Revision/Version <b>D</b>