

REMARKS:

- 1 Material, sensor pipe: AISI304
- 2 Cable length:..... 5 m
- 3 Protection grade:..... IP 66

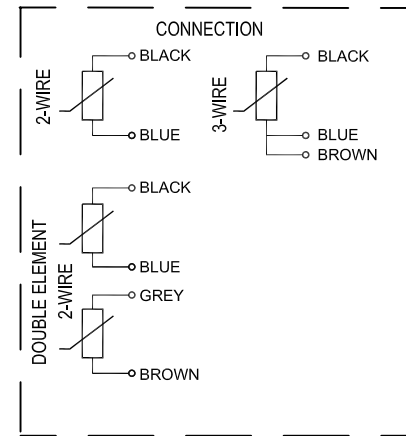
ORDERING EXAMPLE:

MN4004 SU 50

Mechanical design _____
 Single element (Letter no.1) _____
 Element type Pt100 (letter no.2) _____
 Cable length, CL, [dm] _____

Letter no.1	Explanation
D	Double element
S	Single element
T	3-wire connection

Letter no.2	Element type	Range
U	Pt100 Ohm/0 °C	-50 to 120 °C



- ANM. :
 1. Kopier slik at mål 545 blir riktig
 2. Følerort type MN-1231/ L=575 mm

B	Letter V out, 03707, VRA/AJK		
A	490-545, 010813, MAV/AJK		
Rev.	Description	Date/Sign.	Rev.

Date 1999.08.16	Design SUR	Trace	Scale/Format 1:1, A1	Kongsberg Maritime AS Automation Trondheim
Checked AJK	Spec. Chk.	Approved MAV		
Temperature sensor type MN4004— for main brg., main brg. fore and main brg. aft. (4-6 syl.) in MAN B&W S60MC-C DIMENSIONAL SKETCH				Resp. for Resp. by Next sheet Draw. no. MN-4004 Sheet Rev. 6 Lamp.