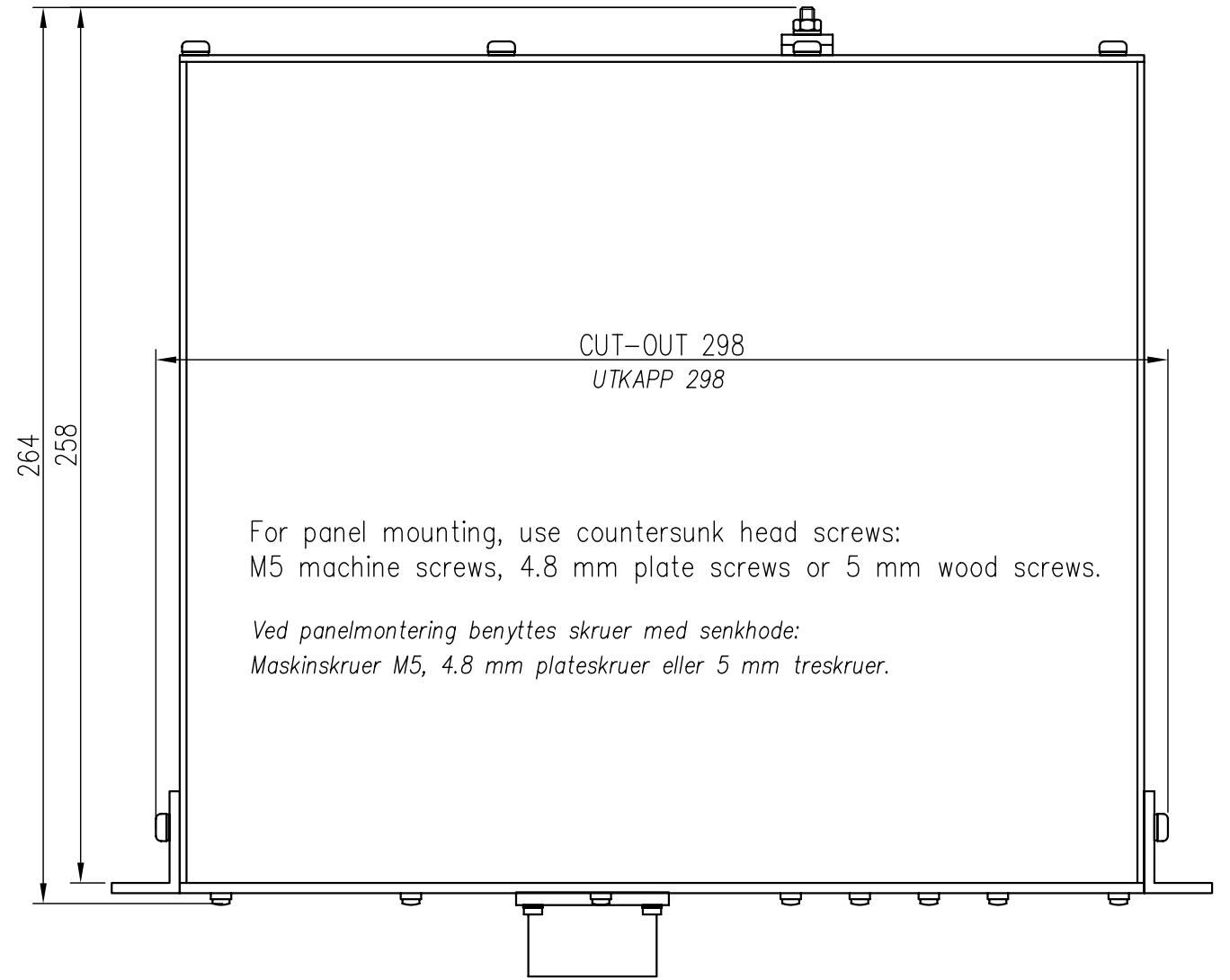
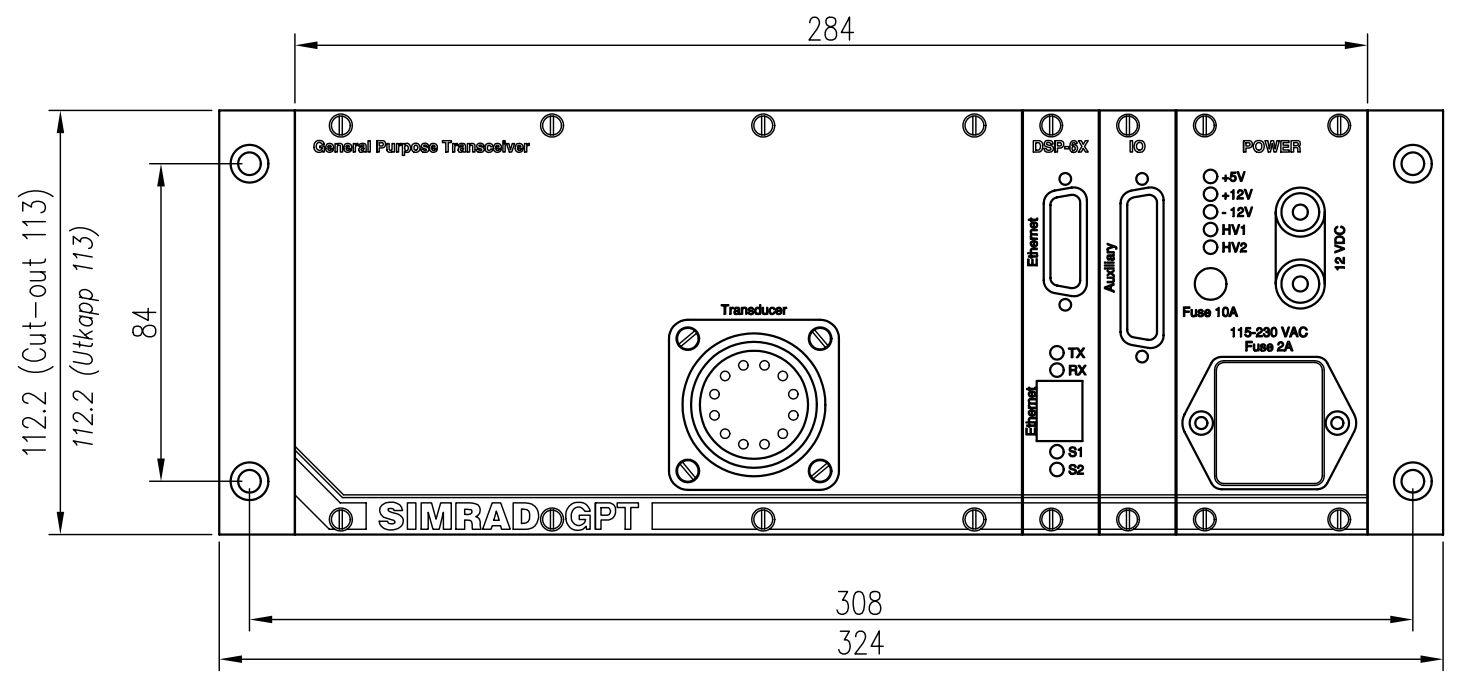
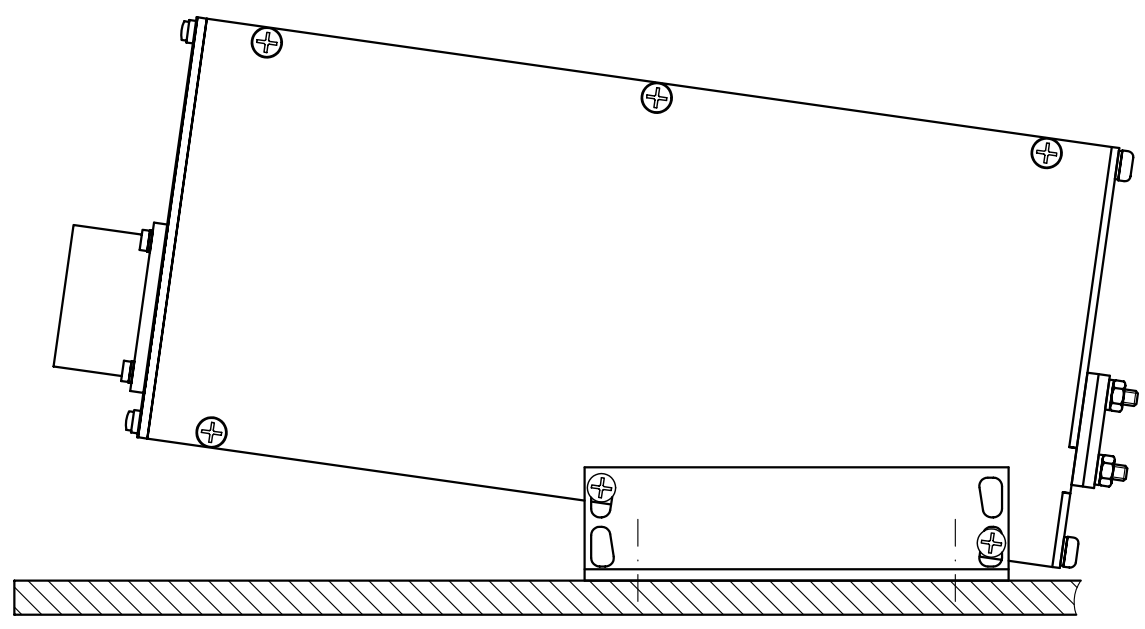


Some mounting examples.
 Take into consideration this:

- Earth connection at rear panel.
- Other connections in front. Consider simple wiring.
- Availability for service. All service from front.
- Front panels should be visible.

Noen eksempler på montering. Ta hensyn til følgende:

- Jord-tilkobling på bakplate.
- Andre tilkoblinger i fronten. Tenk enkel kabling.
- Adkomst for service. All service fra front.
- Frontplater bør være synlig.



REV./SIGN.	Rev.B LF	Rev.C LF							
DATE	09.10.98	20.01.99							
PROJ. METHOD			UNLESS OTHERWISE STATED, TOLERANCE: DIM.: THREAD:				PARTS LIST: SIMRAD A KONGSBERG Company		
SCALE	1:2		INFORMATION DRAWING				SHEET 1 OF 1 SH.SIZE: A3 REV.:		
DRAWN	11.09.98	LF	DIMENSIONS AND MOUNTING				201035 C		
CHECKED	11.09.98	IS	GPT						
APPROVED	14.09.98	HN	SIMRAD				FILE NO.: 679-44		