

38 kHz Single-beam transducer



Introduction

The 38-7 is a large, single-beam transducer incorporating 88 Tonpizl elements. It has a relatively narrow beam with substantial range capability.

Order number

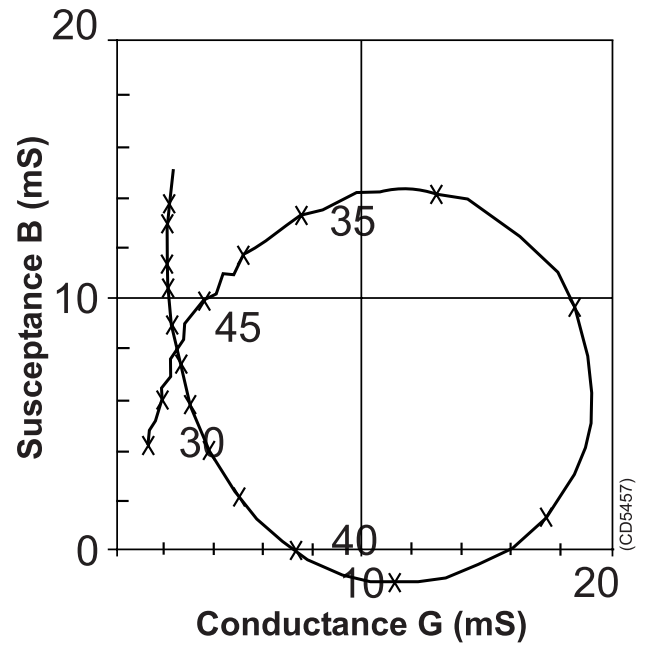
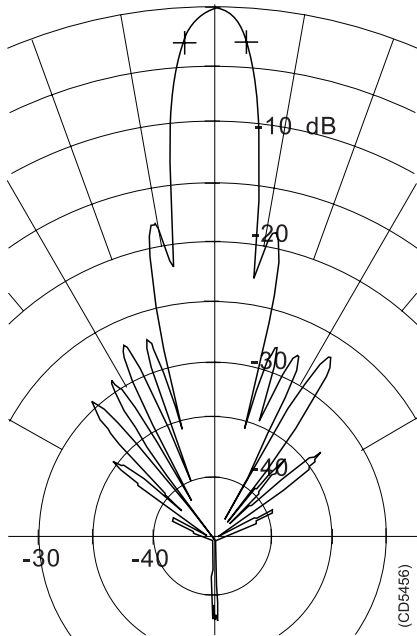
KSV-082776

Technical specifications

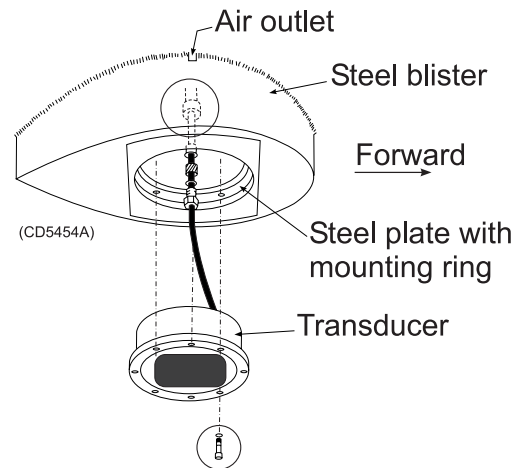
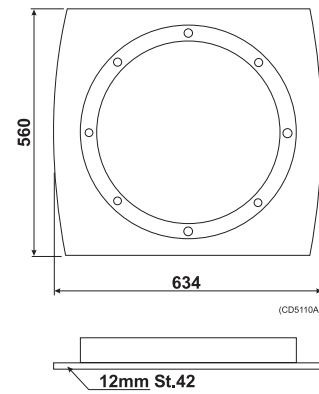
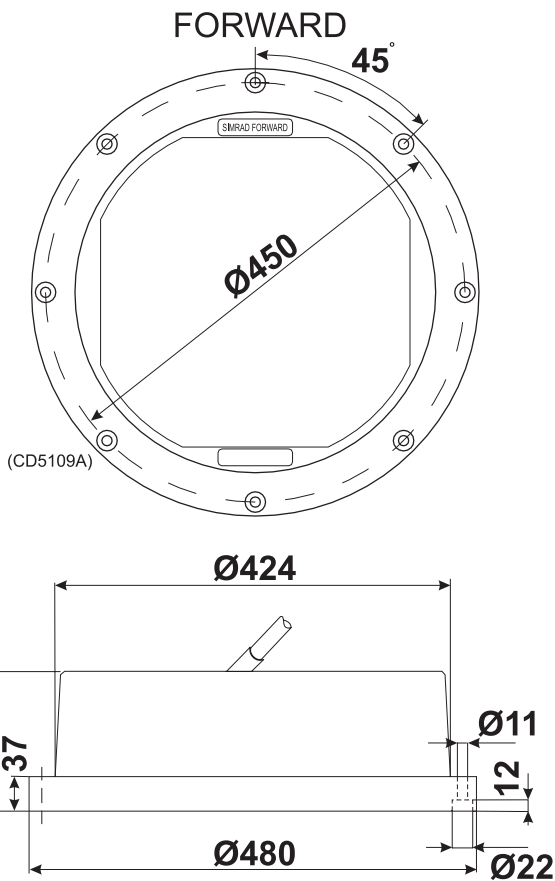
Resonant frequency	38 kHz
Beamwidth, circular	7 deg ±1
Directivity index	28 ±1 dB
Equivalent two-way beam angle	-20.5 ±1 dB
Side lobes	less than -15 dB
Back radiation	less than -35 dB
Impedance:	
Nominal	60 ohms
Max. variation in Z	45 - 80 ohms
Max variation in phase angle	±30 deg
Transmitting response	185.5 dB ±2 re 1 μPa per V
Receiving sensitivity, open circuit	-170.5 dB ±2 re 1V per μPa
Electroacoustic efficiency:	
Typical	0.70
Minimum	0.50
Maximum input power	4000 W
Maximum duty cycle at max. power	1 %
Maximum transducer depth	50 m

Cable length	20 m
Cable diameter	11 mm
Weight without cable	40 kg
Storage temperature	-20 to 70 °C

Data



Installation



Manufacturer:

Simrad AS
 Strandpromenaden 50
 P.O.Box 111
 N-3191 Horten
 Telephone: +47 33 03 40 00