

Side looking transducer 200 kHz - 0.5x49



KONGSBERG

200 kHz side looking transducer for shallow water surveying and high resolution

Introduction

The 200 kHz side looking transducer has a beam with of 0.5° longitudinal and 49° transversal. The side looking transducer is perfect for shallow water surveying to perform high resolution side looking image. The transducer is designed for easy portable mounting by using a bracket and it's robust housing.



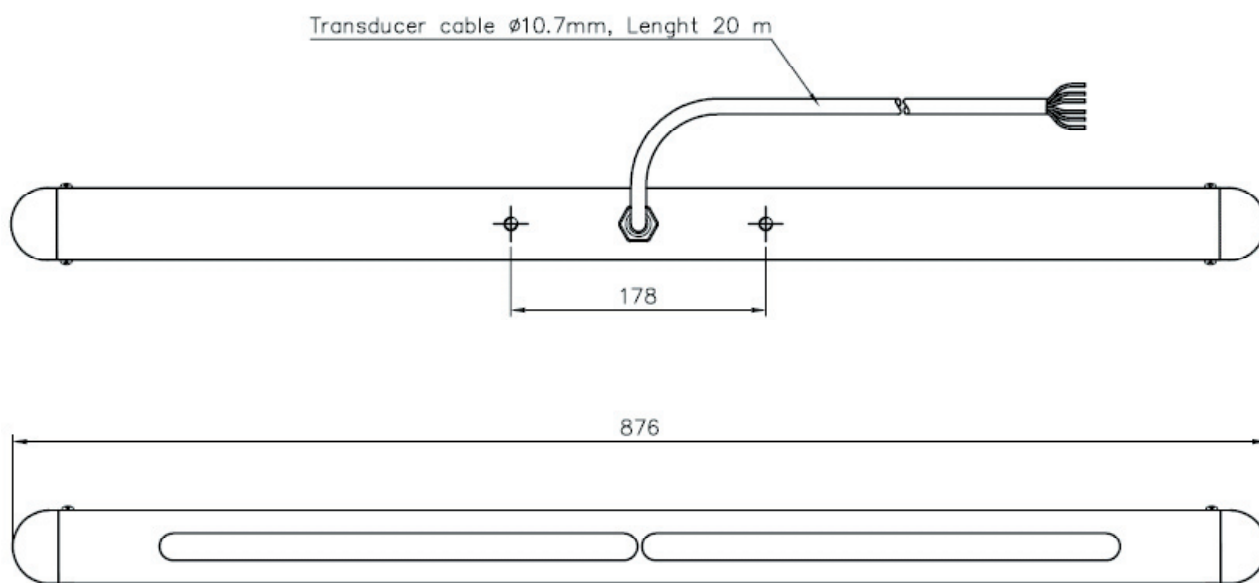
KM order number: KVS-218497

KM mounting bracket order number: 599-218502

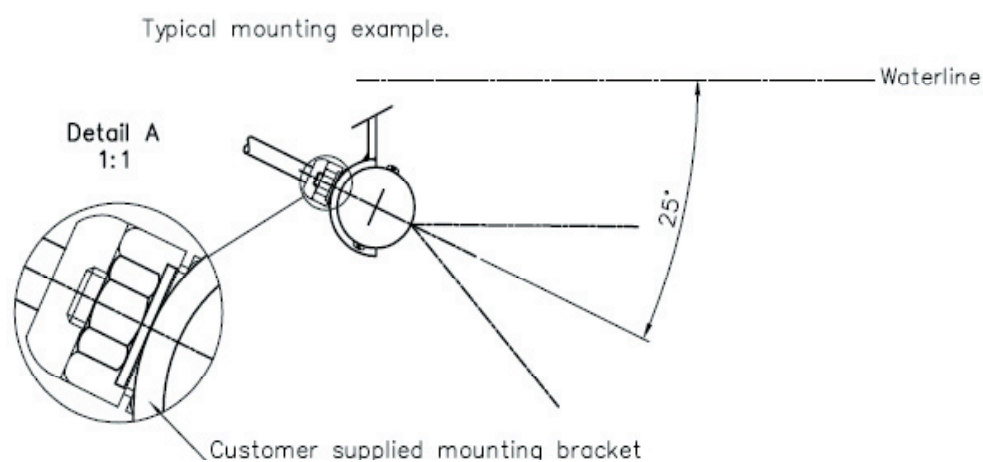
Technical specifications

Resonant frequency.....	200 kHz
Circular beam width:	
Longitudinal.....	0.5 degees
Transversal.....	49 degrees
Directivity:	
D.....	794
DI = 10 log D.....	29 ±1 dB
Equivalent two-way beam angle:	
Ψ	0.004
10 log Ψ	-23.7 ±1 dB
Side lobes.....	Less than -13 dB (longitudinal)
Impedance nominal value.....	60 ohm
Transmitting Voltage Response.....	182 ±2 dB (re 1 μPa per 1 V)
Receiving Voltage Response.....	-167 ±2 dB (re 1 V per μPa)
Electroacoustic efficiency.....	0.32
Maximum pulse power input.....	1000 W @ 2% duty
Maximum continuous power input.....	27 W
Maximum transducer depth.....	10 m
Cable length.....	20 m
Cable diameter.....	10.7 mm
Weight with cable.....	8.0 kg
Storage temperature.....	+48 to -6°C

Dimension data



Installation



Kongsberg Maritime AS

Strandpromenaden 50
P.O.Box 111
N-3191 Horten,
Norway

Telephone: +47 33 02 38 00
Telefax: +47 33 04 47 53
www.kongsberg.com
E-mail: subsea@kongsberg.com



KONGSBERG