



KONGSBERG

# Transducer 200-9G

## Singel beam broadband transducer

### Introduction

The 200-9G transducer is designed for shallow water surveying. It provides high resolution, high bandwidth and a Q value of 2,5. The design is robust and rugged, and the transducer is recommended for portable applications.

**KM order number:** KSV-223311

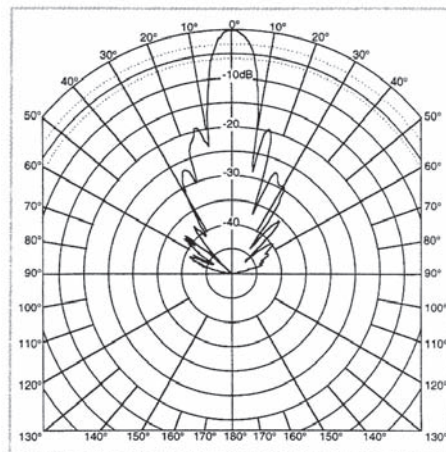


### Technical specifications

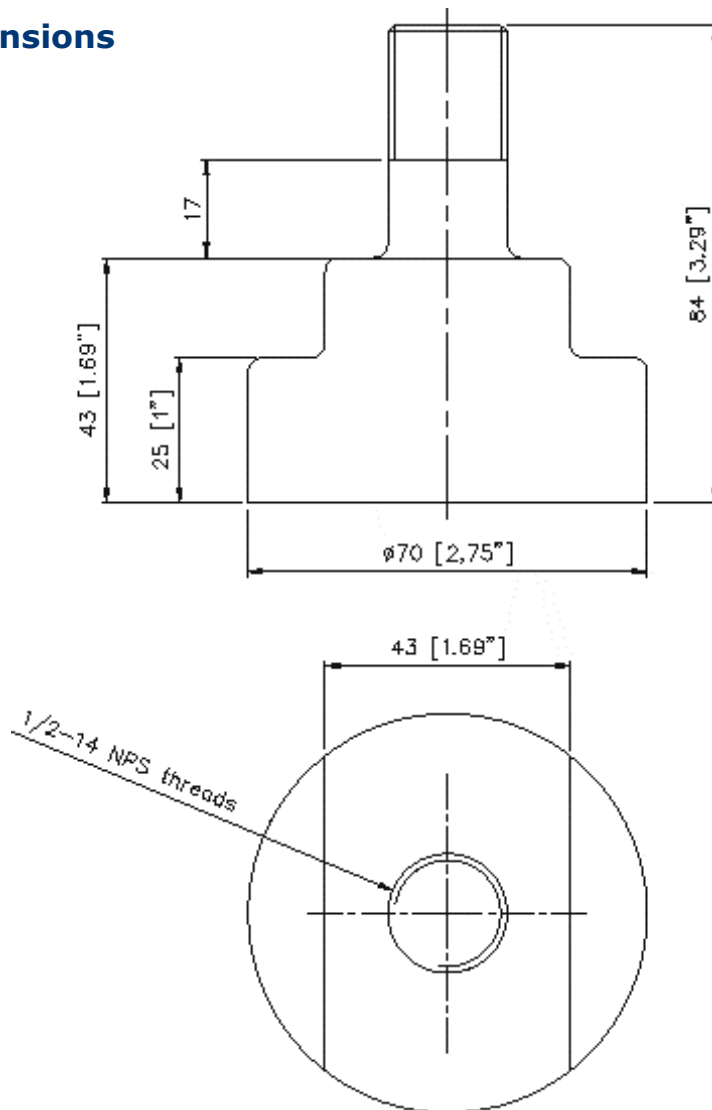
Resonant frequency.....	200 kHz
Circular beam width.....	9 degrees
Directivity:	
D .....	480
DI = 10 log D.....	26.8 ±1 dB
Equivalent two-way beam angle:	
$\Psi$ .....	0.013
10 log $\Psi$ .....	-18.5 ±1 dB
Side lobes .....	Less than -17 dB
Impedance nominal value .....	60 ohm
Transmitting Voltage Response.....	175 ±2 dB re 1 $\mu$ Pa per V
Receiving Voltage Response.....	-169 ±2 dB re 1 V per $\mu$ Pa
Electroacoustic efficiency .....	0.43
Maximum pulse power input .....	500 W @ 2% duty
Maximum continuous power input .....	10 W
Cable length .....	15 m
Cabel diameter .....	6 mm
Weight with cabel .....	3,5 kg
Storage temperature .....	+48 to -6°C

## Beam pattern

200kHz



## Outline dimensions



### Kongsberg Maritime AS

Strandpromenaden 50  
P.O.Box 111  
N-3191 Horten,  
Norway

Telephone: +47 33 02 38 00  
Telefax: +47 33 04 47 53  
[www.kongsberg.com](http://www.kongsberg.com)  
E-mail: [subsea@kongsberg.com](mailto:subsea@kongsberg.com)



KONGSBERG