



KONGSBERG



KM ORDER NO: KSV-223313

15 kHz single beam transducer for ocean depths and sub-bottom details in shallow waters

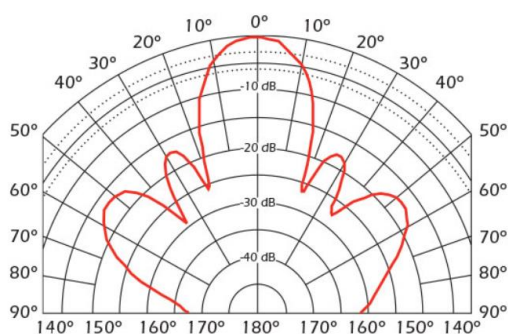
- 15 kHz single beam transducer
- 17° circular beamwidth
- $Q = 2$
- Sub-bottom details
- Works with EA440 for sub-bottom purposes down to 300m water depths
- Works with EA640 down to full ocean depths

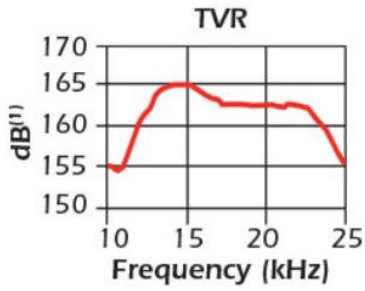
The 15 - 17 is a transducer with beam width 17° beam width. The transducer has low Q and low frequency ceramic arrays for ocean depth measurement and accurate data.

It has 13 elements encapsulated in a cast Urethane housing. Adapted for use as a portable mount.

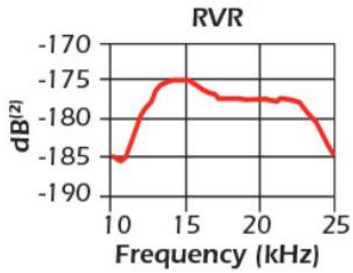
This transducer can be “chirped” with a longer pulse over a wide-frequency band.

Beam pattern





Transmitting Voltage Response
dB re. 1 μ Pa per V @1m



Receiving Voltage Response
dB re. 1 Vrms per μ Pa

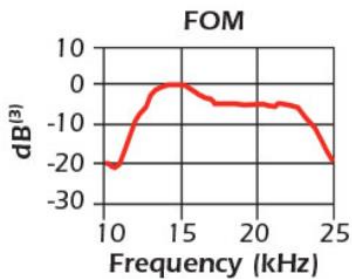


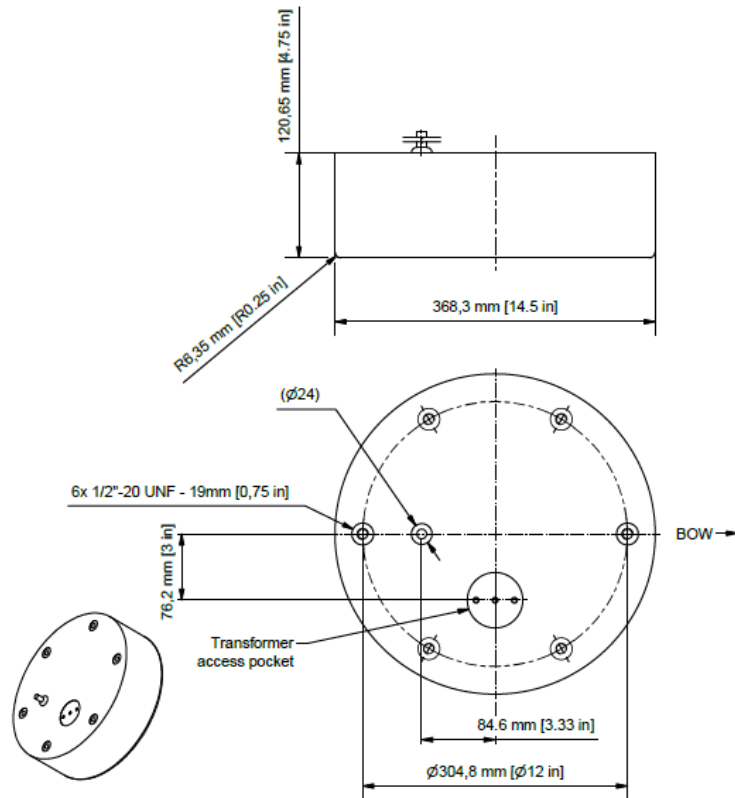
Figure of Merit
(sum of TVR & RVR)

- Cable length: 15 m
- Cable diameter: 10 mm
- Weight with/without cable: 28/25 kg
- Storage temperature: +48°C to -6°C

TECHNICAL DATA

• Resonant frequency	15 kHz
• Circular beam width	17 degrees
Directivity:	
• D	100
• DI = 10 log D	19.9 \pm 1 dB
Equivalent two-way beam angle:	
• Ψ	0.049
• 10 log Ψ	-13 \pm 1 dB
• Side lobes	Less than 17 dB
• Impedance nominal value	60 ohm
• Transmitting voltage response	165 \pm 2 dB re 1 μ Pa per V
• Receiving voltage response	-169 \pm 2 dB re 1 Vrms per μ Pa
• Electroacoustic efficiency	0.45
• Maximum pulse power input	3.5 kW @ 2 % duty
• Maximum continuous power input	70 W

Outline dimensions



NOTE:

- Weight approx. 28 kg
- Transducer housing material: Cast Urethane
- Cable Type: C-43 Shielded twisted pair (2-14 AWG) with braided shield, black neoprene jacket, 10 mm (13/32") diameter

