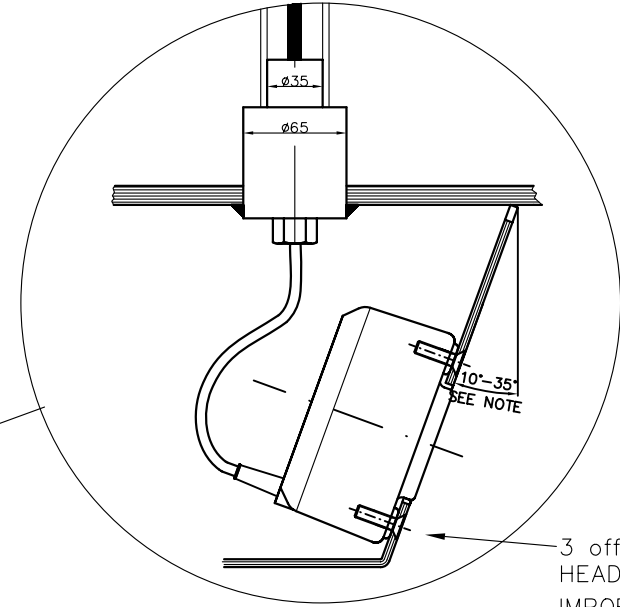


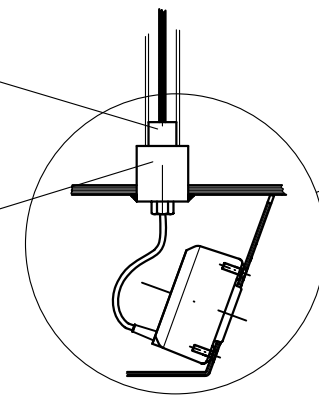
FOR EASY MOUNTING AND ACCESS, A MOUNTING FLANGE MIGHT BE USED. (Simrad reg. no. 599-207228)



3 off M8x35 (reg. no. 560-076328) SOCKET COUNTERSUNK HEAD SCREW.
IMPORTANT: BOLT TORQUE 5Nm. SECURE THE THREADS WITH LOCTITE270 OR EQUIVALENT.

CABLE PIPE. INNER DIA. 35MM
TO BE RUN ABOVE WATER LINE

CABLE PENETRATION (DIA. 65MM)
SIMRAD NO. 599-202216



SEEN FROM BELOW.

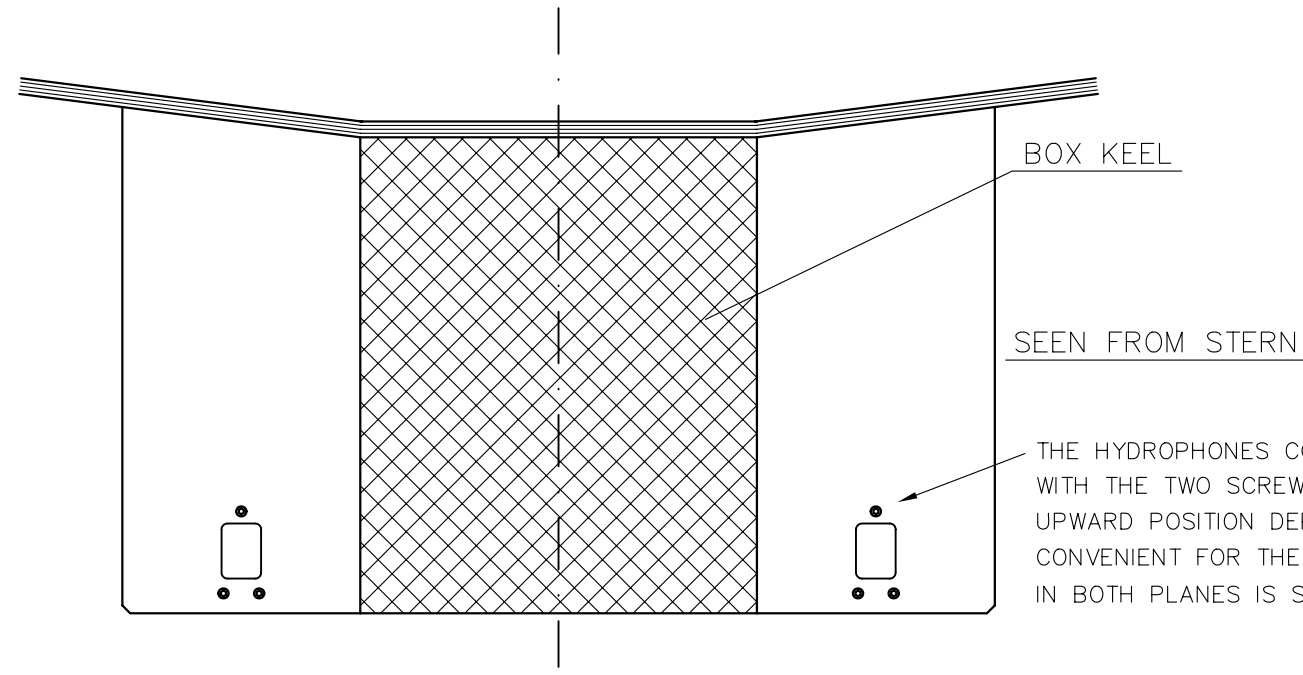
TRAWL HYDROPHONE. SIMRAD No.: 314-205250

STB-SIDE BLISTER SHOWN.
SIMILAR BLISTER ON PORT SIDE

SEC. A-A

SEC. A-A SHOWN WITH HYDROPHONE MOUNTED.
TILT: 20° DOWN
SCALE: 1:2.5

NOTE:
THE RECOMMENDED TILT ANGLE CA.10°-35°
IS DEPENDENT ON THE APPLICATION.
REF. INSTALLATION MANUAL.



SEEN FROM STERN

THE HYDROPHONES COULD BE MOUNTED WITH THE TWO SCREWS IN THE DOWNWARD OR UPWARD POSITION DEPENDENT ON WHAT IS MOST CONVENIENT FOR THE CABLE OUTPUT. THE ARRANGEMENT IN BOTH PLANES IS SYMMETRICAL.

REV./SIGN.																			
DATE																			
PROJ. METHOD																			
SCALE	1:10	1:2.5																	
DRAWN	29.10.02	KSK																	
CHECKED	10.12.02	OS																	
APPROVED	11.12.02	KRA																	
UNLESS OTHERWISE STATED, TOLERANCES ARE AS SHOWN IN THE DRAWING.										PARTS LIST:		SIMRAD A KONGSBERG Company		SHEET 1 OF 1		SH.SIZE: A3		REV.:	
ARRANGEMENT DRAWING										830-207050A									
HYDROPHONES IN										FILE NO.: CAD03									
KEEL MOUNTED SHOES																			
PI32 TRAWL HYDROPHONE																			