

38/200 kHz Combi-transducer



Introduction

The Combi 38/200 D combines two transducers and one temperature sensor in a single housing. It is designed with a streamlined shape for hull mounting on small vessels.

Order number

KSV-203004

Common specifications

Nominal impedance	75 ohms
Maximum pulse power input	1000 W
Maximum continuous power input	10 W
Resistance NYC thermistor at 25°	10 kohm
Maximum transducer depth	20 m
Cable length	15 m
Cable diameter	10.6 ±0.5 mm
Weight with cable	8 kg
Storage temperature	-20 to 70°C

Technical specifications 38 kHz

Resonant frequency	38 kHz
Beamwidth longitudinal	13 deg
Beamwidth transverse	21 deg
Directivity, DI=10logD	21 dB
Side lobes	less than -15 dB
Back radiation	less than -25 dB
Source level at 1000 W	219 dB re 1µPa
Transmitting response	170 dB re 1µPa per V

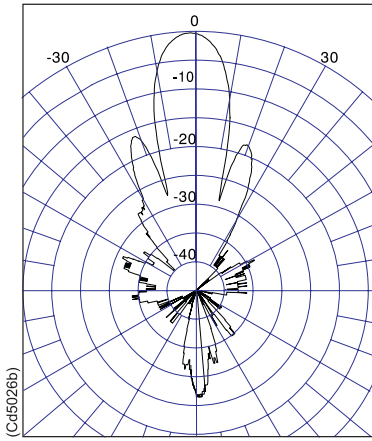
Receiving sensitivity:

Open circuit	-178 dB re 1V per µPa
Electroacoustic efficiency	0.50

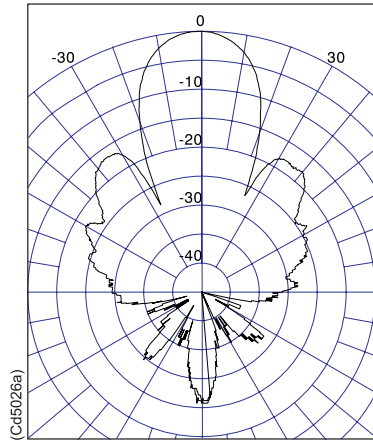
Technical specifications 200 kHz

Resonant frequency	200 kHz
Beamwidth longitudinal	7 deg
Beamwidth transverse	7 deg
Directivity, DI=10logD	28.5 dB
Side lobes	less than -18 dB
Back radiation	less than -30 dB
Source level at 1000 W	227 dB re 1µPa
Transmitting response	178 dB re 1µPa per V
Receiving sensitivity:	
Open circuit	-185 dB re 1V per µPa
Electroacoustic efficiency	0.60

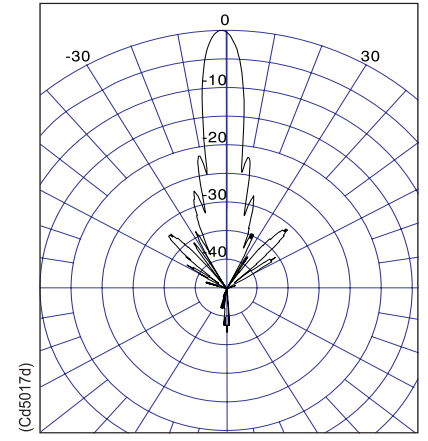
Data



Beam pattern 38 kHz
longitudinal

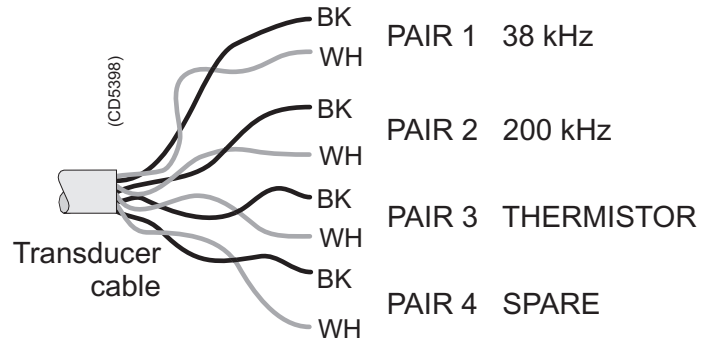
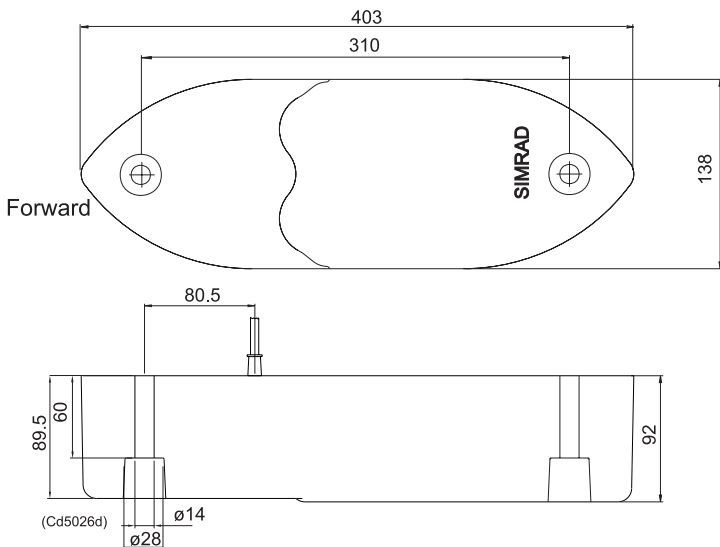


Beam pattern 38 kHz
transverse



Beam pattern 200 kHz

Installation



The pair number is printed on the black conductor.

Manufacturer:

Simrad AS
Strandpromenaden 50
Boks 111
3191 Horten
Telephone: 33 03 40 00
Facsimile: 33 04 29 87

www.simrad.com

SIMRAD
A KONGSBERG Company

ALWAYS AT THE FOREFRONT OF TECHNOLOGY