

200 kHz single-beam transducer in robust housing



Introduction

The 200-28E is a 200 kHz single-beam transducer protected in a robust housing. The solid interior is void of air pockets or expanded foam enabling it to withstand the pressure at a depth of 1000 m.

Order number

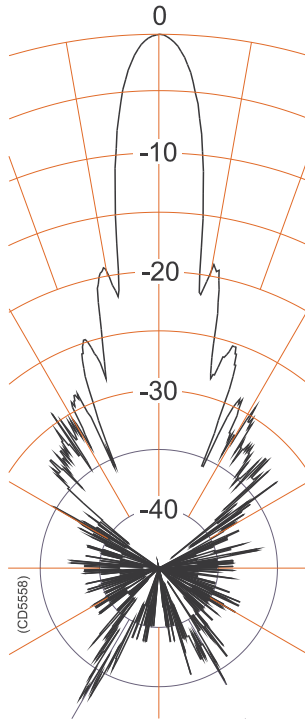
KSV-109178

Technical specification

Resonant frequency 200 kHz
Beamwidth, circular 7 deg. \pm 1 deg.
Directivity index 28.5 dB
Equivalent two-way beam angle (ψ) -21 dB
re 1 steradian
Nominal impedance 60 ohm
Maximum variation in $|Z|$ 45 to 80 ohm
Maximum variation in phase \pm 30 deg
Transmitting response ... 180.0 \pm 2 dB re 1 μ Pa per V
Receiving sensitivity (open circuit) -185.0 \pm 2 dB
re 1V per μ Pa

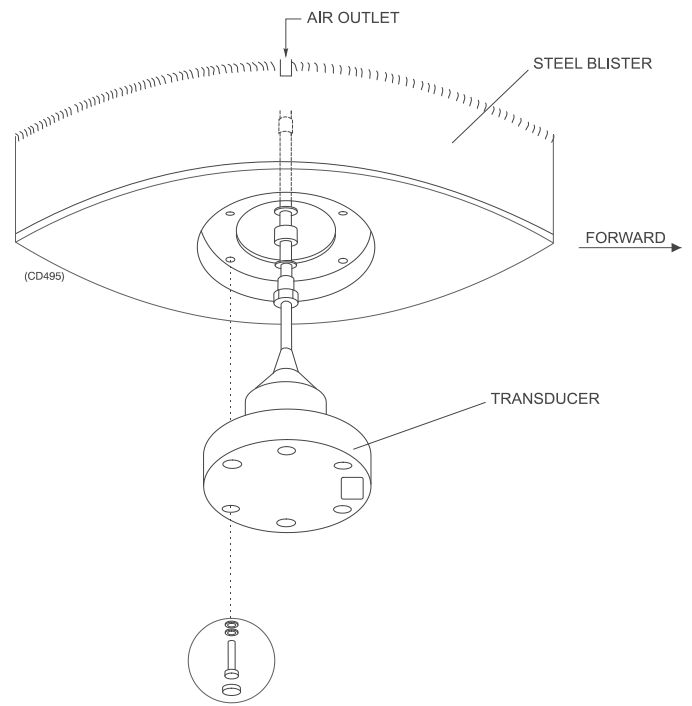
Electroacoustic efficiency 70 \pm 20 %
Maximum input power 1500 W
Maximum duty cycle (at maximum power) 4%
Maximum installation depth 1000 m
Maximum storage temperature 70° C
Minimum storage temperature -20° C
Cable length 25 m
Cable diameter 10.9 mm
Weight without cable 3.4 kg

Data



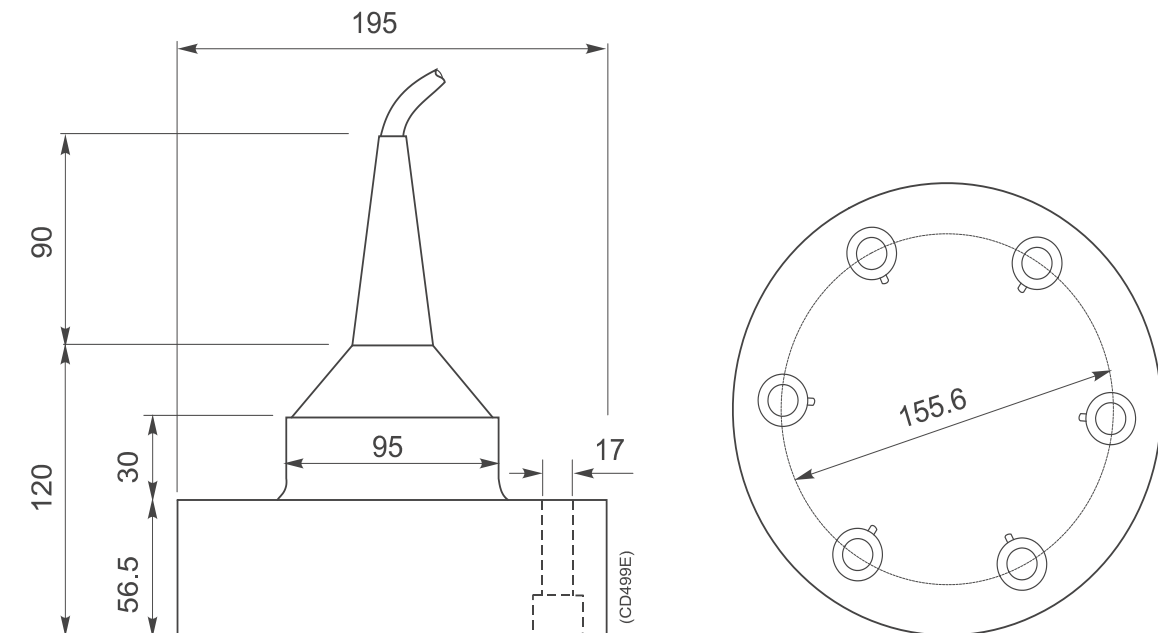
Beam pattern

Installation



Installation example

Installation



Outline dimensions

Manufacturer:

Simrad AS
Strandpromenaden 50
P.O.Box 111
N-3191 Horten

Telephone: +47 33 03 40 00

Telefax: +47 33 04 29 87

Internet: www.simrad.com