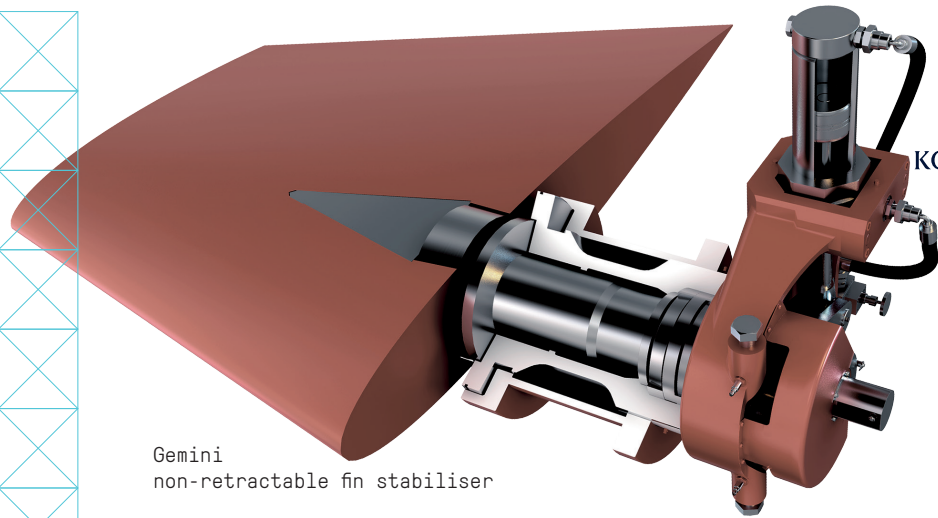


GEMINI NON-RETRACTABLE FIN STABILISER



Gemini
non-retractable fin stabiliser

KONGSBERG MARITIME STABILISER

For a range of commercial and naval applications

Kongsberg Maritime produce a wide range of stabilisers. The Gemini non-retractable fin stabiliser is suitable for a range of vessels including large motor yachts, fast ferries, naval coast guard and fisheries protection vessels.

High performance roll damping

Kongsberg Maritime Gemini non-retractable fin stabilisers are designed for high performance roll damping whilst offering low weight and high reliability coupled with low maintenance and performance costs.

Controls

The control system offers state of the art technology with simple operating interfaces and extremely comprehensive maintenance and diagnostic information through touch screens. The control system offers considerable operational features and facilities for interfacing with other ship systems.

Main features of the control system are:

- Improved local control and redundancy features.
- A compact and rugged design.
- Configurable to operator's requirements.

Benefits

- Excellent stabiliser performance at low cost.
- Low cost installation for hydraulic, mechanical and control equipment.
- Ease of integration with ship's systems.



The Gemini stabiliser is suitable for large motor yachts, fast ferries, naval coastguard and fisheries protection vessels

FIN UNIT

- Low weight and compact design
- Proven bearing and sealing technology
- Reduced number of internal components
- Hull base plate available
- Ease of installation

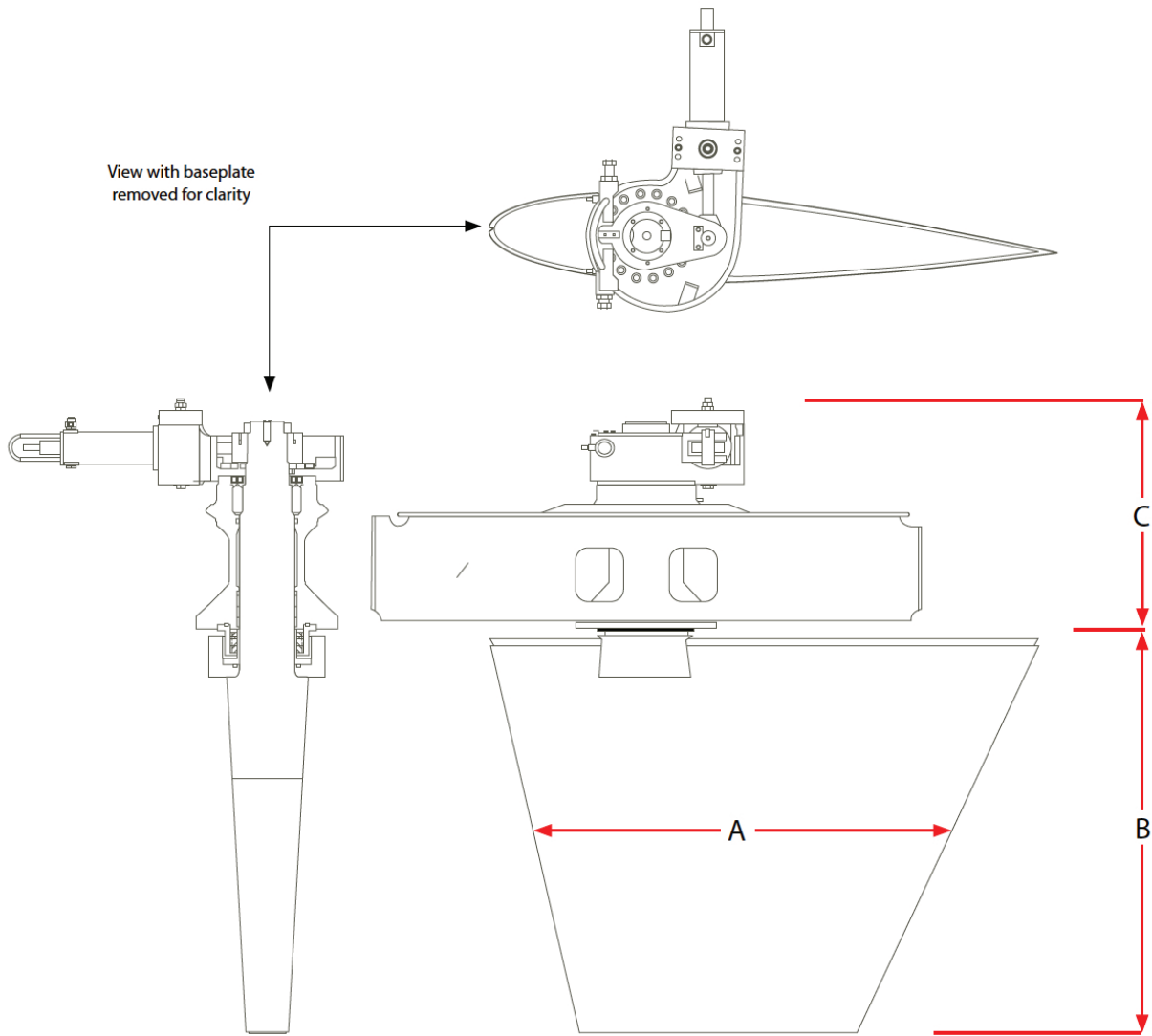
FIN

- One piece construction

POWER UNIT

- Package unit including all components for ease of installation

Sectioned view of the Gemini stabiliser



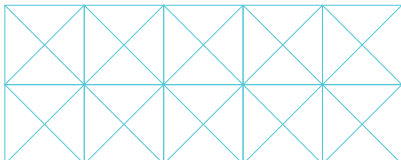
TECHNICAL DATA

MODEL*	MAX. FIN AREA (M2)	DIMENSIONS (MM)**			WEIGHT (KG)
		A	B	C	
10	1.4	1200	1170	720	3423
20	2.0	1550	1290	900	5717
30	3.2	1860	1720	1105	10167

Notes

* All weights are per shipset.

** Weights and dimensions are estimates only.



Kongsberg Maritime
P.O.Box 483, NO-3601
Kongsberg, Norway

Switchboard: +47 815 73 700
Global support 24/7: +47 33 03 24 07
E-mail sales: km.sales@kongsberg.com
E-mail support: km.support@kongsberg.com