



KONGSBERG

# KONGSBERG S-BAND RADAR



## S-band radar scanner (30kW/12ft)

An S-band radar scanner is available from Kongsberg Maritime with 30 kW transmission.

The S-band 30 kW scanner is provided with a 12ft antenna.

### Features

- Modular and solid state design.
- Built-in power supply unit.
- Built-in performance monitor (required for IMO SOLAS vessels).
- 40m cable kit included.
- Neck heater (anti-icing) option.
- Meets in full or exceeds the requirements of IEC 60945 and IEC 62388.
- Conforms to the relevant EU MED directives.
- Less attenuation and back scattering from rain, hail and snow (as compared with X-band).

### KEY POINTS

- Reduced antenna height increases reliability of drive device.
- 40m cable kit included.

*S-band 30 kW, 12ft array*



# Technical details

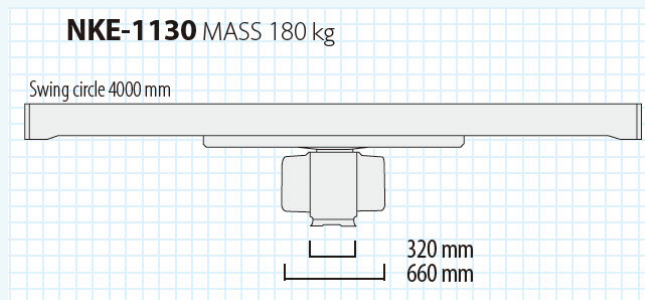
## S-band 30 kW, 12 ft

KM part number 459576  
KM model name NKE-1130-12S/KM  
Transmitting power 30 kW  
Antenna length 12ft  
Transmitting frequency 3050MHz ± 20MHz  
Rotation speed 27 rpm  
Beam width Hor. 1.9°, ver. 25°  
Pulse width (freq.) 0.07µs/2250Hz  
0.2µs/2250Hz  
0.3µs/1900Hz  
0.4µs/1400Hz  
0.8µs/750Hz  
1.0µs/650Hz  
1.2µs/510Hz

Duplexer  
Range scale

Motor  
Tuning  
Modulator  
Ambient conditions

Circular and diode limiter  
0.125/0.25/0.5/0.75/1.5/3/6/12  
/24/48/96 NM  
220 VAC - ph1, brushless  
Automatic/manual  
Solid state modulator circuit  
Temperature -25°C ~+55°C  
Rel. humidity 93% @ 40°C



Wheelmarked

