

# RUDDER ANGLE INDICATING SYSTEM



KONGSBERG

## BRIDGE

Inside console

24VDC filter unit  
(one for each system)



Console mounting type

IP69  
with/without dimmer



72x72

IP68  
with/without dimmer



144x144

Ceiling mounting type

IP40  
with/without dimmer



Ø360

Bulkhead mounting type

IP68  
with dimmer



181x143

## ADVANTAGES

- Easy calibration (commissioning) due to the 'self learning' feedback card (RRFB01)
- High accuracy (+/-1% of full scale)
- Standardized with high protection degree
- CAN bus result in less cabling

## KONGSBERG STEERING GEAR

# Rudder angle indicating system, single rudder

### General

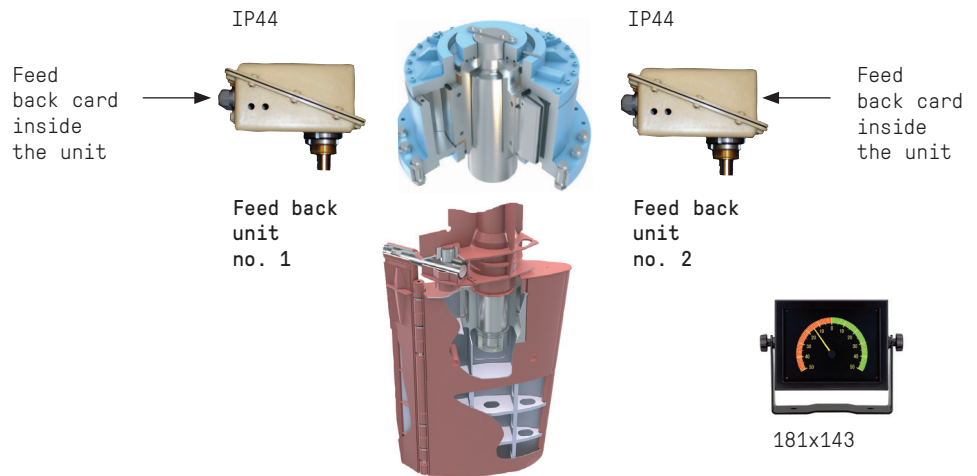
The rudder angle indication system provides continuous indication of the steering gear (rudder) actual position. According to SOLAS and IMO requirements two fully redundant separate systems for each rudder are required. Both console mounting and bulkhead mounting types are available.

## ENGINE CONTROL ROOM



72x72

## STEERING GEAR ROOM



### Rudder angle system contents

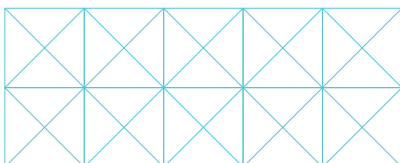
- Panorama type for ceiling mounting (IP40)
- Console mounting types (IP68/IP69)
- Bulkhead mounting types (IP68)
- Rudder angle feed back card (IP66)
- Feed back potentiometers in feed back units (IP44)
- 24VDC filter unit to achieve stabilised voltage

### Description

- Panels for console mounting types are provided with overlay (color RAL 9011)
- Different dimensions incl. Panama canal requirements
- Scales with hanging and standing pointer
- With or without dimmer
- Feed back potentiometers mounted in feed back units
- Power supply 24VDC external supply (1A) for each system
- Linearity +/-1% of full scale
- Rudder angle indicating system is type approved by MED (Marine Equipment Directive)
- CAN bus based network
- Instruments with step motor drive
- Max number of instruments: unlimited

### Interface

- Galvanic isolated 4–20mA feed back signals for each rudder are available for external use



Kongsberg Maritime  
P.O.Box 483, NO-3601  
Kongsberg, Norway

Switchboard: +47 815 73 700  
Global support 24/7: +47 33 03 24 07  
E-mail sales: km.sales@km.kongsberg.com  
E-mail support: km.support@km.kongsberg.com