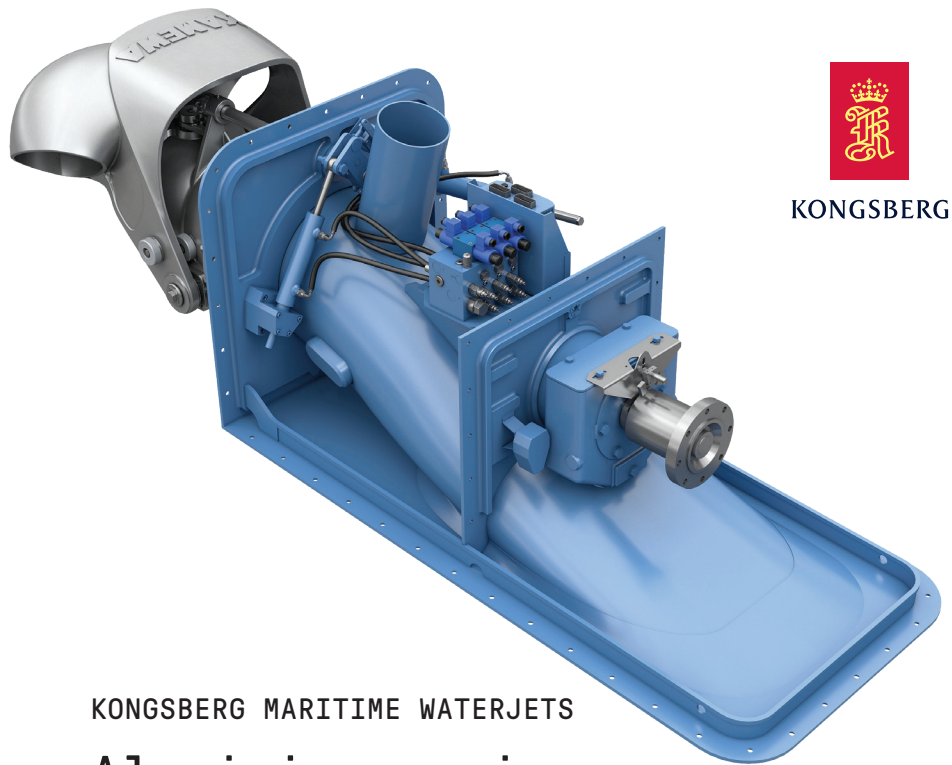


# WATERJETS ALUMINIUM SERIES



KONGSBERG

## KONGSBERG MARITIME WATERJETS

### Aluminium series

#### Robust reliability

Kamewa aluminium series waterjets cover the power range between 100 and 2000 kW. Typical applications include naval craft, search and rescue boats, pilot boats, work boats and pleasure boats.

The aluminium series waterjet units are manufactured from strong, corrosion-resistant materials. Only the impeller, shaft and steering/reversing rods are made of stainless steel. All the other components are of aluminium construction based on thorough strength calculations to minimise weight.

The inlet duct is fabricated from marine aluminium plate for light weight, optimum hydrodynamic performance and resistance to corrosion.

The pump is a single-stage axial-flow design providing a high volume flow with good pulling thrust in a wide speed range.

All aluminium series waterjets can also be supplied as booster units i.e. jet units without steering components.

On delivery, the Kamewa aluminium series waterjets are painted and complete with structurally dimensioned inlet ducts for easy installation by bolting or welding.

#### Kongsberg Maritime - the professional supplier

Kongsberg Maritime is the world leader in research, development and manufacture of waterjets for commercial, naval and pleasure-boat markets. It is also the only supplier in the industry with its own, fully equipped hydrodynamic research centre. The centre continuously develops and tests new products and refines the existing product line.

All Kamewa aluminium series waterjets are produced using the latest 3D CAD/CAM tools to ensure high level of quality and accuracy in design and manufacturing.

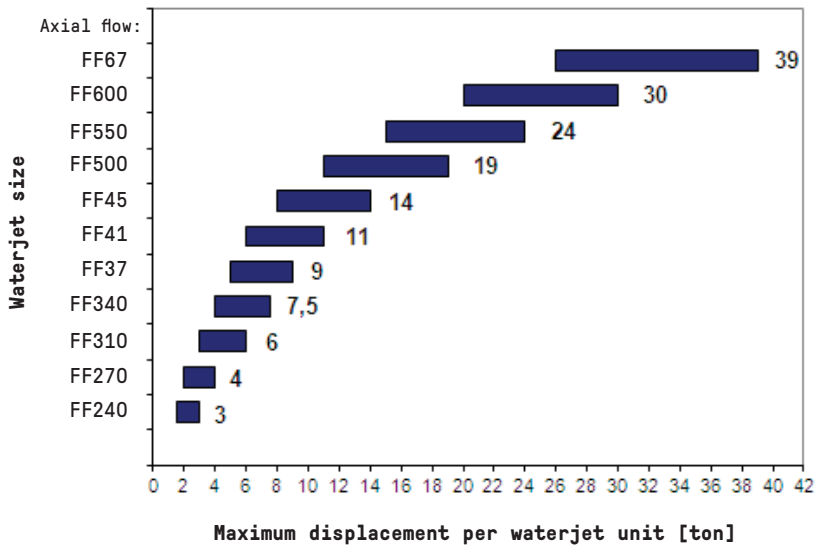
Kongsberg Maritime also utilises its own proprietary, computerised design program, which contains the latest waterjet technology data combined with the actual results from earlier waterjet installations.

Aided by this program, individual influences and the combined effect of all the existing outlet diameters and blade pitch angles will be studied to optimise the performance of every installation.

Kamewa aluminium series sets new standards for small and medium-size applications of waterjets in terms of performance, economy and reliability.

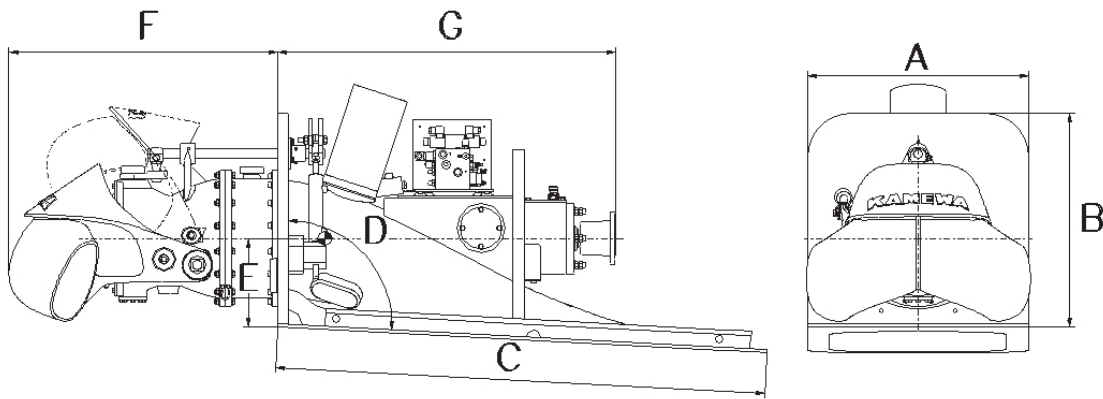
Wherever you are, Kongsberg Maritime's global service network will be there to provide extensive through-life support for Kamewa waterjets.

**Maximum recommended displacement per waterjet unit  
for planing fast craft**



**Displacement table**

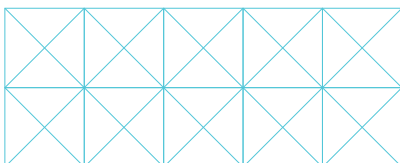
The table should be used for guidance only and based on appropriate hull size and weight ratio and hull lines. Best performance will be achieved by selecting a larger waterjet size for craft displacements entering into the shaded area.



**MAIN DATA**

SIZE	MAX POWER* (KW)	DRY WEIGHT (KG)	ENTRAINED WATER INSIDE TRANSOM (LITERS)	DIMENSIONS (MM)						
				A	B	C	D	E	F	G
FF240	260	124	25	410	574	855	93°	274	885	400
FF270	370	155	28	430	541	1060	93°	231	816	551
FF310	500	242	40	520	651	1203	93°	291	1065	626
FF340	460	270	52	650	700	1070	93°	285	1107	676
FF37	585	380	138	750	724	1660	93°	299	911	1144
FF41	735	485	170	860	803	1943	93°	327	1049	1338
FF45	885	520	209	880	846	1827	93°	347	1114	1331
FF500	1100	840	350	950	970	2200	90°	450	1333	1525
FF550	1390	960	395	1100	1045	2400	90°	460	1265	1963
FF600	1800	1325	495	1150	1150	2800	90°	540	1552	1863
FF67	2000	1545	703	1287	1287	3220	90°	603	1592	1920

\* Higher sprint power available case by case  
The data is subject to change by the manufacturer without prior notice



Kongsberg Maritime  
P.O.Box 483, NO-3601  
Kongsberg, Norway

Switchboard: +47 815 73 700  
Global support 24/7: +47 33 03 24 07  
E-mail sales: km.sales@km.kongsberg.com  
E-mail support: km.support@kongsberg.com