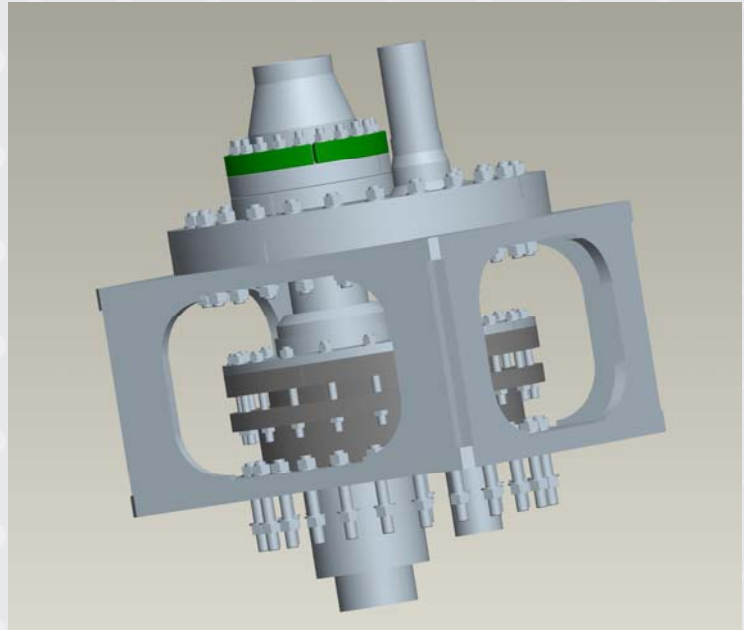
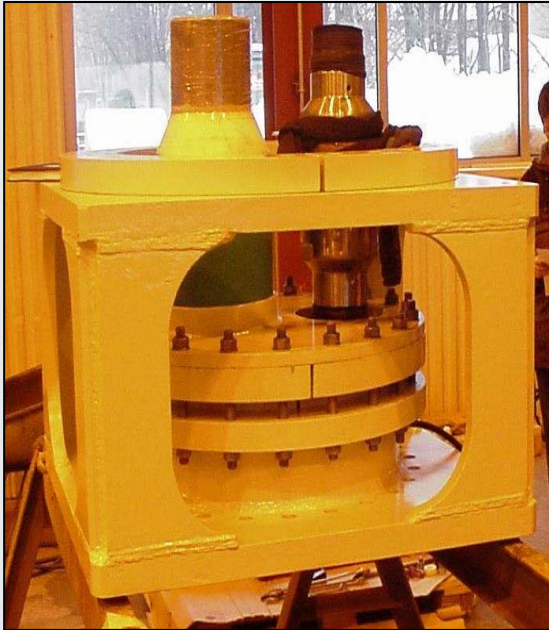


Hang-off Structure



PRODUCT NAME:	J-Tube Hang-off Structure		
CATEGORY:	EPC		
FIELD/CLIENT:			
HULDRA/	2001	Coflexip Stena offshore Norge	1 off
SIGYN/	2002	Coflexip Stena offshore Norge	1 off
DESCRIPTION:	Combined Hang-off for Hang-off riser and one Electrical Heating Cable. Test facility internally in Hang-off		
HAVTROLL SCOPE:	Concept, detail engineering, procurement, fabrication, and testing of hang-off.		

Hang-off Structure

