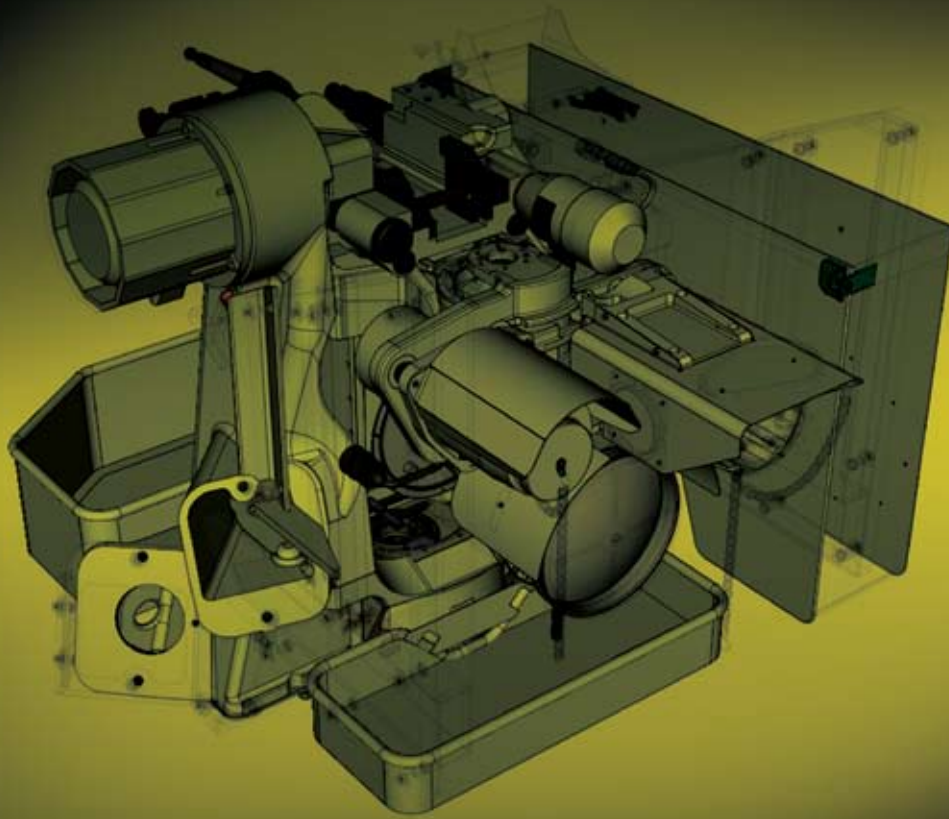


# PROTECTOR

Interactive Maintenance Library



KONGSBERG

## PROTECTOR

### – Interactive Maintenance Library

The Interactive Maintenance Library (IML) is KONGSBERG's high-tech solution to traditional documentation and training tools. IML has been developed to support and guide the users in fault finding, parts identification, and corrective maintenance.

The IML concept is based on the idea of Instant Training: Receive the training you need, when you need it. Interactive Real Time 3D models of the system and video procedures of correct assembly and disassembly, all linked from Interactive Fault Finding Procedures.

The IML is a complete interactive state of the art library with all of the information needed to perform safe and efficient maintenance of your PROTECTOR Remote Weapon Station (RWS).

#### FEATURES

- Interactive Exploded views
- Video Procedures of Corrective Maintenance
- Interactive Fault Finding Procedures
- Real Time 3D Spare Parts Catalogue
- Supports all PROTECTOR RWS configurations
- Touch Screen Capability

**WORLD CLASS** – through people, technology and dedication





## Interactive 3D Procedures

True Real Time 3D capability allows the user to rotate and view the weapon system to any angle of view required. Parts can be turned on or off in real time. Predefined views will assist the user to correct parts location. All parts are searchable by part number or description. Customized views can be printed, saved as picture files, or transformed to line drawings in ISO view for use in manuals.



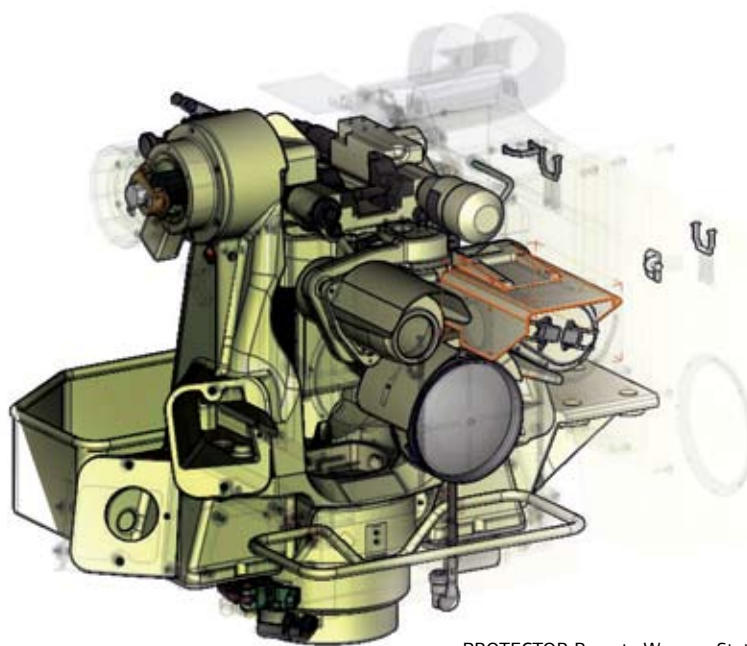
## Video Procedures

Video of correct maintenance procedures according to the Maintenance Manual is an essential part of the IML. Before the job is started you are able to see how it's done correctly to ensure correct and safe maintenance of the PROTECTOR Remote Weapon Station.



## Fault Finding Procedures

Video Procedures of all maintenance tasks are included in the IML. Interactive Fault Finding Procedures will guide the service personnel in correct trouble shooting. The Fault Finding Procedures are based on the Built In Test functionality and thousands of hours of use of the PROTECTOR Remote Weapon Station.



PROTECTOR Remote Weapon Station

[www.kongsberg.com](http://www.kongsberg.com)

### Kongsberg Defence & Aerospace AS

**Main office**  
 P.O.Box 1003 · N-3601 Kongsberg · Norway  
 Phone: +47 32 28 82 00 · Fax: +47 32 28 86 20  
 E-mail: [office.kda@kongsberg.com](mailto:office.kda@kongsberg.com)

### US Office

1725 Duke Street, Suite 600 - Alexandria - VA 22314 - USA  
 Phone: +1 703 838 8910 · Fax: +1 703 838 8919  
 E-mail: [kda.usoffice@kongsberg.com](mailto:kda.usoffice@kongsberg.com)