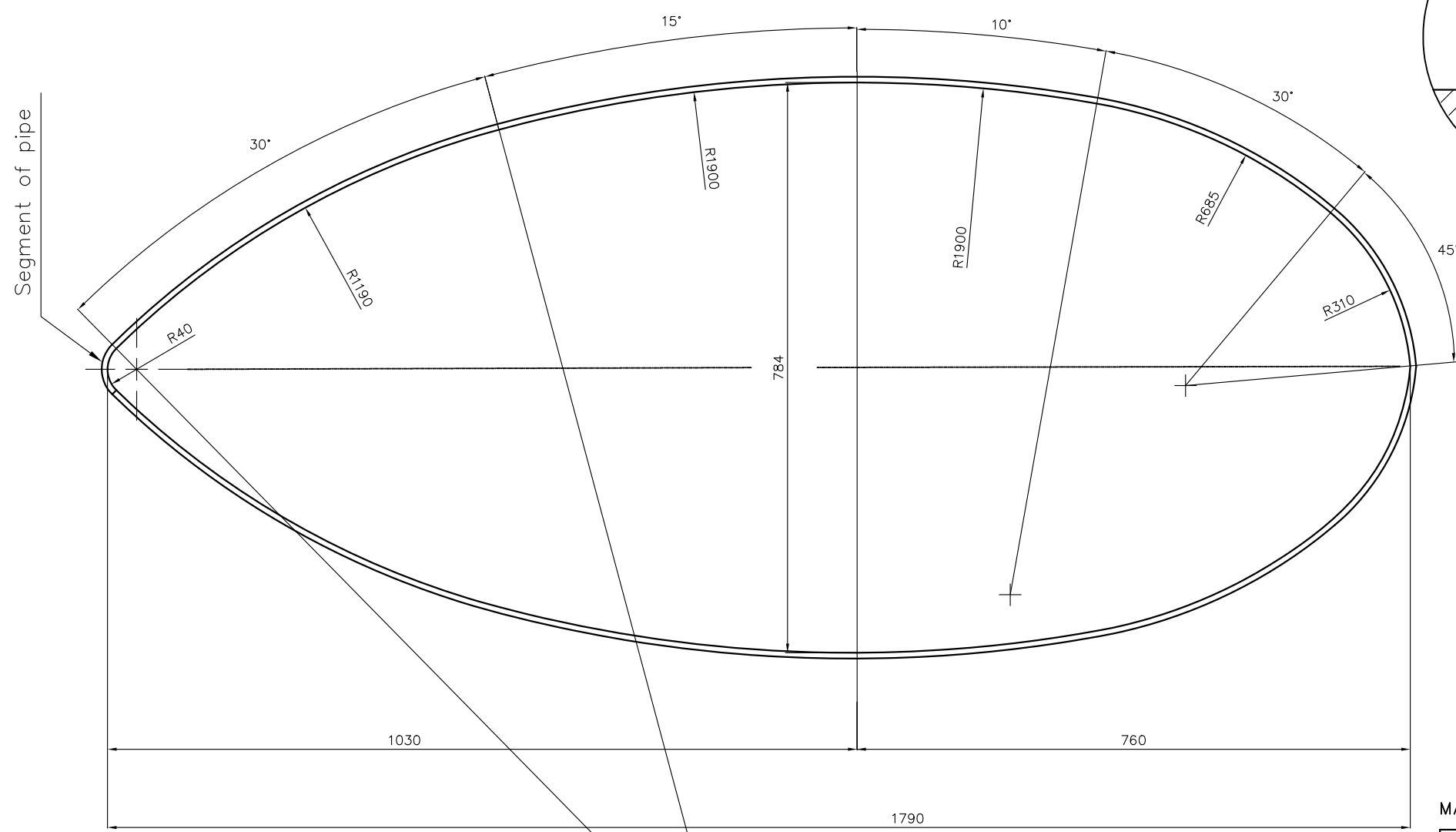
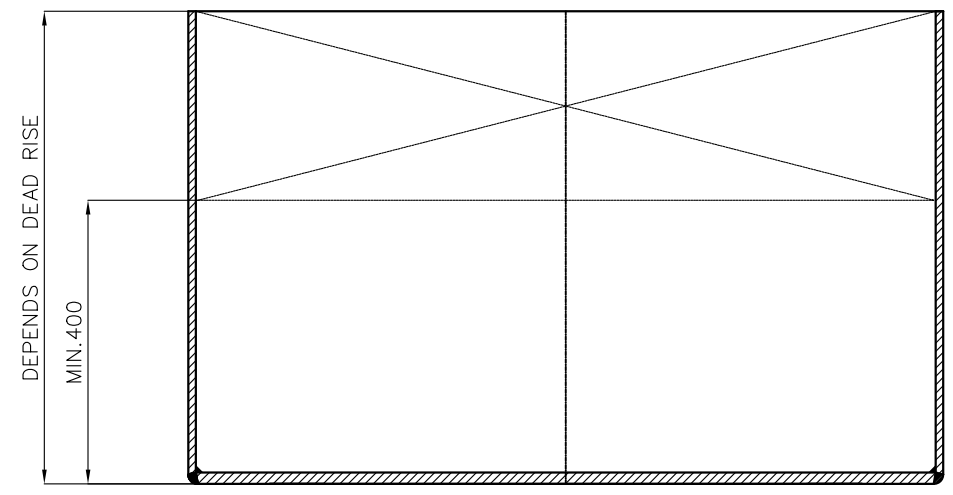
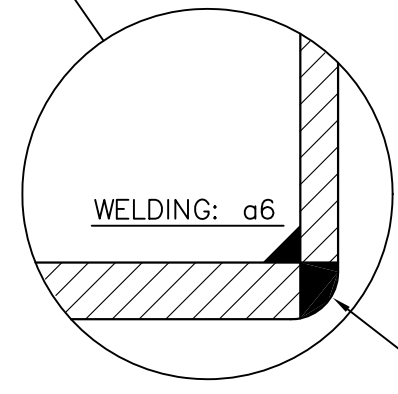


Edge to be rounded



Segment of pipe



S=1:1

R10

The bottom plane must be completely flat with no concavity.
 Maximum 3 mm convexity.
 Small hollows (maximum 1 mm) will be accepted.

MATERIAL: MILD STEEL St 42, BOTTOM 12MM, WALLS 8MM

REV./SIGN.							
DATE							
PROJ. METHOD			UNLESS OTHERWISE STATED, TOLERANCE:				
SCALE	1:8		DIM.:	THREAD:			
DRAWN	88.12.13	bøj	STEEL BLISTER FOR TRANSDUCERS		SHEET 1 OF 1		
CHECKED	88.12.20	RLN			111-082733 A		
APPROVED	88.12.20	RLN			FILE NO.: 538-64		